

EM

GAMME EPURE ESCAPE

COMP

2023



ELECTRIC MOTION



www.electric-motion.fr



Zac via Domitia,
280 Rue du Trident,
34740 Vendargues
FRANCE



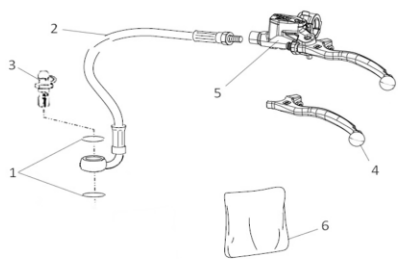
Projet cofinancé par le Fonds Européen de Développement Régional

2023





14 HYDRAULIC CLUTCH SYSTEM

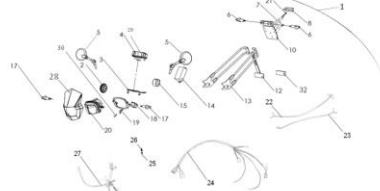


N°	REF. EM	DESIGNATION	Qty
1	TUDD-0800-00-00	WASHER PUMP	1
2	TUDD-0811-00-00	CLUTCH HOSE	1
3	TUDD-0812-00-00	1/8" UNF NUT	1
4	TUDD-0813-00-00	WASHER PUMP	1
5	TUDD-0814-00-00	CLUTCH MASTER CYLINDER	1
6	TUDD-0815-00-00	REPAIR KIT	1

25



17 ON ROAD KIT

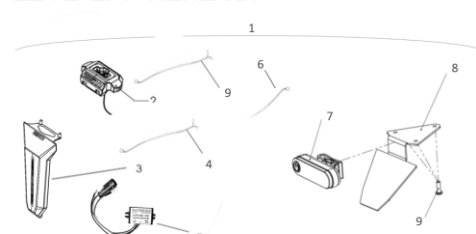


N°	REF. EM	DESIGNATION	Qty	N°	REF. EM	DESIGNATION	Qty
1	TUDD-0800-00-00	ON ROAD KIT	1	17	TUDD-0815-00-00	REAR REFLECTOR	1
2	TUDD-0801-00-00	WASHER PUMP	1	18	TUDD-0816-00-00	REFLECTOR SUPPORT	1
3	TUDD-0802-00-00	CLUTCH HOSE	1	19	TUDD-0817-00-00	CONVERTER REF. LED	1
4	TUDD-0803-00-00	WASHER PUMP	1	20	TUDD-0818-00-00	WASHER PUMP	1
5	TUDD-0804-00-00	CLUTCH MASTER CYLINDER	1	21	TUDD-0819-00-00	TURN LIGHT SHORT SET	1
6	TUDD-0805-00-00	REPAIR KIT	1	22	TUDD-0820-00-00	INDICATOR CENTRAL UNIT	1
7	TUDD-0806-00-00	WASHER PUMP	1	23	TUDD-0821-00-00	OPTICAL SUPPORT PLATE	1
8	TUDD-0807-00-00	CLUTCH HOSE	1	24	TUDD-0822-00-00	COMPLETE LIGHT	1
9	TUDD-0808-00-00	WASHER PUMP	1	25	TUDD-0823-00-00	REAR HEAD	1
10	TUDD-0809-00-00	CLUTCH MASTER CYLINDER	1	26	TUDD-0824-00-00	REAR ELECTRICAL WIRING ASSEMBLY	1
11	TUDD-0810-00-00	REPAIR KIT	1	27	TUDD-0825-00-00	REAR ELECTRICAL WIRING	1
12	TUDD-0811-00-00	WASHER PUMP	1	28	TUDD-0826-00-00	ELECTRICAL WIRING	1
13	TUDD-0812-00-00	CLUTCH HOSE	1	29	TUDD-0827-00-00	HYDRAULIC CYLINDER	1
14	TUDD-0813-00-00	WASHER PUMP	1	30	TUDD-0828-00-00	CLIP HYDRAULIC CYLINDER	1
15	TUDD-0814-00-00	CLUTCH MASTER CYLINDER	1	31	TUDD-0829-00-00	HOOF ELECTRICAL WIRING	1
16	TUDD-0815-00-00	REAR REFLECTOR	1	32	TUDD-0830-00-00	REAR LIGHT	1
17	TUDD-0816-00-00	REFLECTOR SUPPORT	1	33	TUDD-0831-00-00	SCREW M4x12 LARGES HEAD	1
18	TUDD-0817-00-00	CONVERTER REF. LED	1	34	TUDD-0832-00-00	SCREW M4x10	1
19	TUDD-0818-00-00	WASHER PUMP	1	35	TUDD-0833-00-00	SCREW M4x10	1
20	TUDD-0819-00-00	TURN LIGHT SHORT SET	1	36	TUDD-0834-00-00	RED REAR REFLECTOR	1

27



18 COMPLETE OFF ROAD KIT

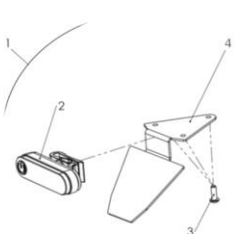


N°	REF. EM	DESIGNATION	Qty
1	TUDD-0800-00-00	COMPLETE OFF ROAD KIT	1
2	TUDD-0801-00-00	WASHER PUMP	1
3	TUDD-0802-00-00	CLUTCH HOSE	1
4	TUDD-0803-00-00	WASHER PUMP	1
5	TUDD-0804-00-00	CLUTCH MASTER CYLINDER	1
6	TUDD-0805-00-00	REPAIR KIT	1
7	TUDD-0806-00-00	WASHER PUMP	1
8	TUDD-0807-00-00	CLUTCH HOSE	1
9	TUDD-0808-00-00	CLUTCH MASTER CYLINDER	1

28



15 REAR TAIL LIGHT MINI

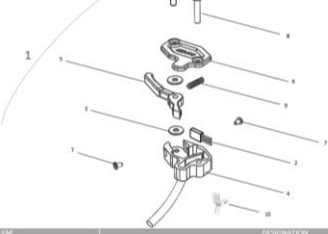


N°	REF. EM	DESIGNATION	Qty
1	TUDD-0800-00-00	COMPLETE REAR LED KIT	1
2	TUDD-0801-00-00	REAR LED	1
3	TUDD-0802-00-00	REAR LED SUPPORT	1
4	TUDD-0803-00-00	REAR LED SUPPORT	1

29



20 PAB RACE



N°	REF. EM	DESIGNATION	Qty
1	TUDD-0800-00-00	COMPLETE PAB RACE	1
2	TUDD-0801-00-00	PAB RACE HELMET	1
3	TUDD-0802-00-00	SCREW M4x12 LARGES HEAD	2
4	TUDD-0803-00-00	SCREW M4x10	1
5	TUDD-0804-00-00	SCREW M4x10	1
6	TUDD-0805-00-00	SCREW M4x10	1
7	TUDD-0806-00-00	SCREW M4x10	1
8	TUDD-0807-00-00	SCREW M4x10	1
9	TUDD-0808-00-00	SCREW M4x10	1
10	TUDD-0809-00-00	SCREW M4x10	1

30



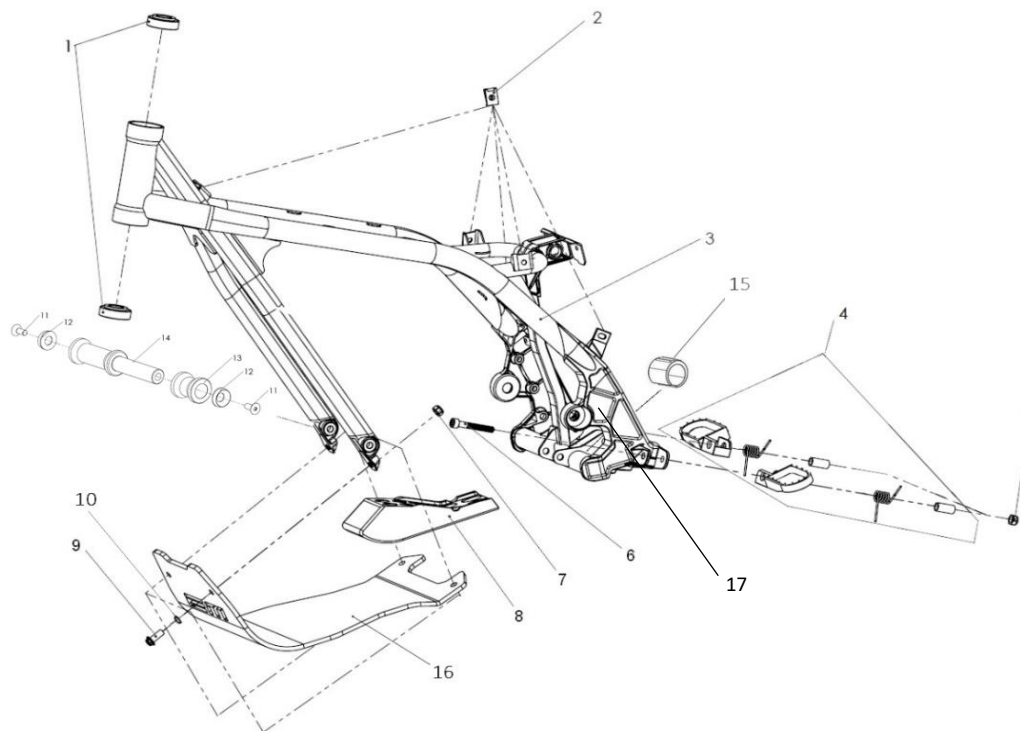
21 HANDGUARD



N°	REF. EM	DESIGNATION	Qty
1	TUDD-0800-00-00	HANDGUARD	1

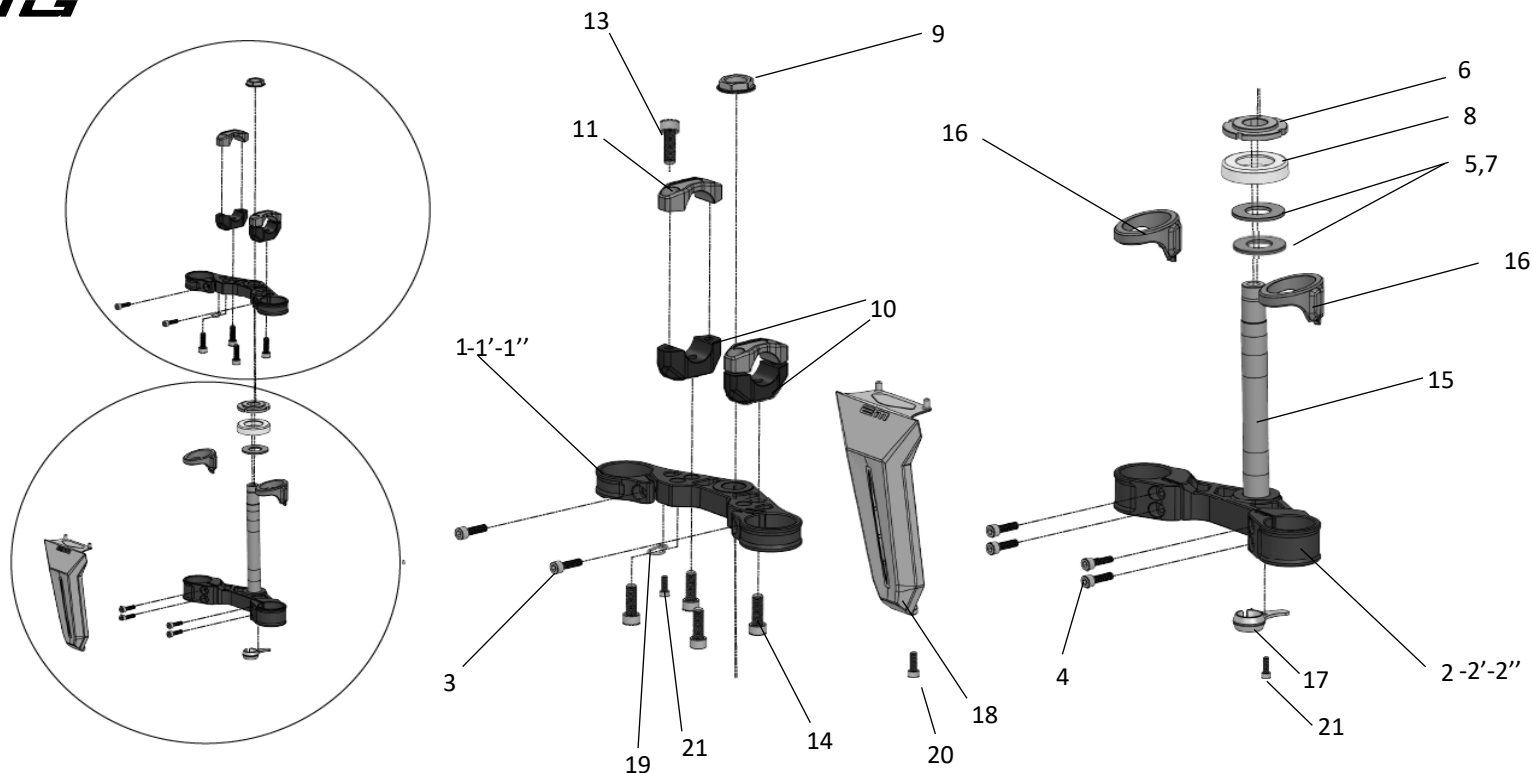
31

01 FRAME



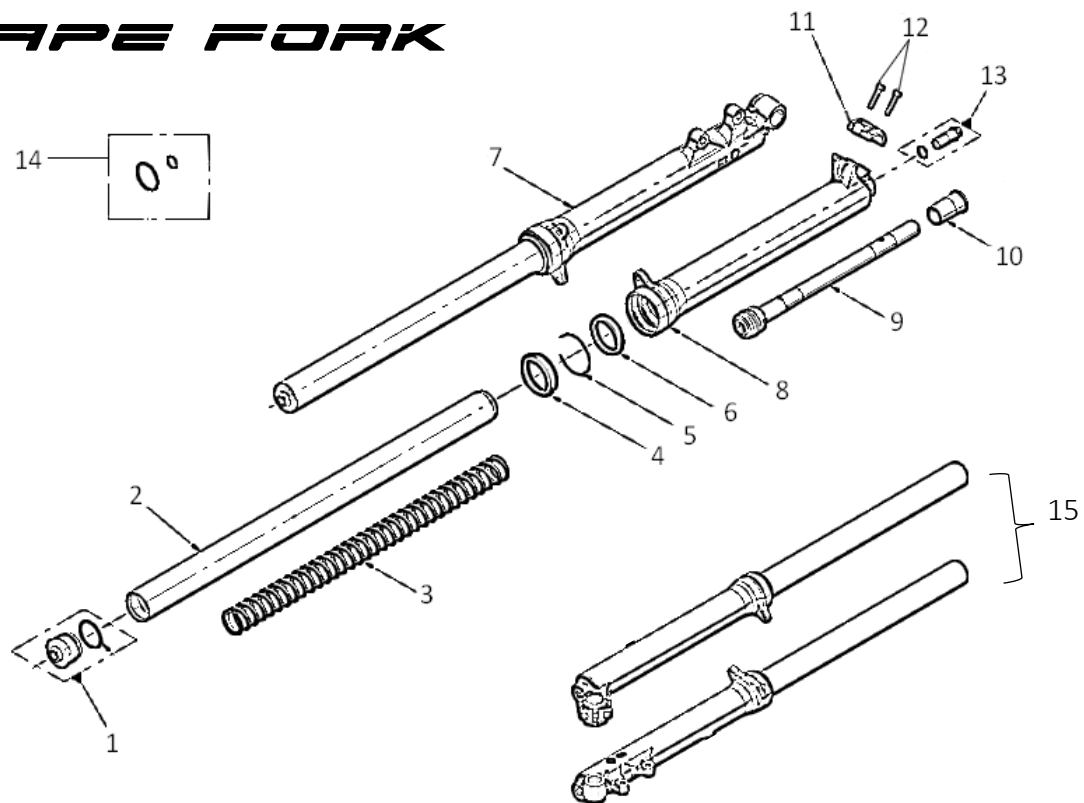
N°	REF.EM	DESIGNATION	Qty	N°	REF.EM	DESIGNATION	Qty
1	TL01J-20508-00-00.....	STEERING BEARING	2	11	0V020-08035-00-00.....	SCREW FHC M8x35.....	2
2	OCE06-16024-09-ZI.....	FAST NUT M6.....	5	12	TC010-50139-05-00.....	SPECIAL WASHER	2
3	TC02R-10101-00-03-ASM.....	FRAME 2023.....	1	13	TC010-50139-06-00.....	SPACER.....	1
4	TL02O-10105-00-00.....	SET FOOTPEG.....	1	14	TC010-50139-04-00.....	AXIS	1
4'	TC02Q-10105-00-03.....	SET FOOTPEG COMP 2022/2023.....	1	15	TL02O-60344-00-00.....	FRAME PLASTIC PROTECTOR.....	1
5	OEC08-08000-00-00.....	M8 NYLSTOP NUT.....	2	16	TC01L-10104-00-00.....	BASH PLATE.....	1
6	0V010-08045-01-00.....	SCREW CHC SHORT HEAD M8x45	2	18	TC02R-81302-00-00.....	FRAME STICKER 2023.....	1
7	OEC08-08000-00-00.....	NUT NYLSTOP M8.....	4				
8	TL02O-60303-00-00.....	RUBBER ENGINE PROTECTOR.....	1				
9	0V150-08020-00-00.....	SCREW CHC M8x20.....	4				
10	OR012-08018-00-00.....	CONTACT M8 WASHER.....	4				

02 STEERING



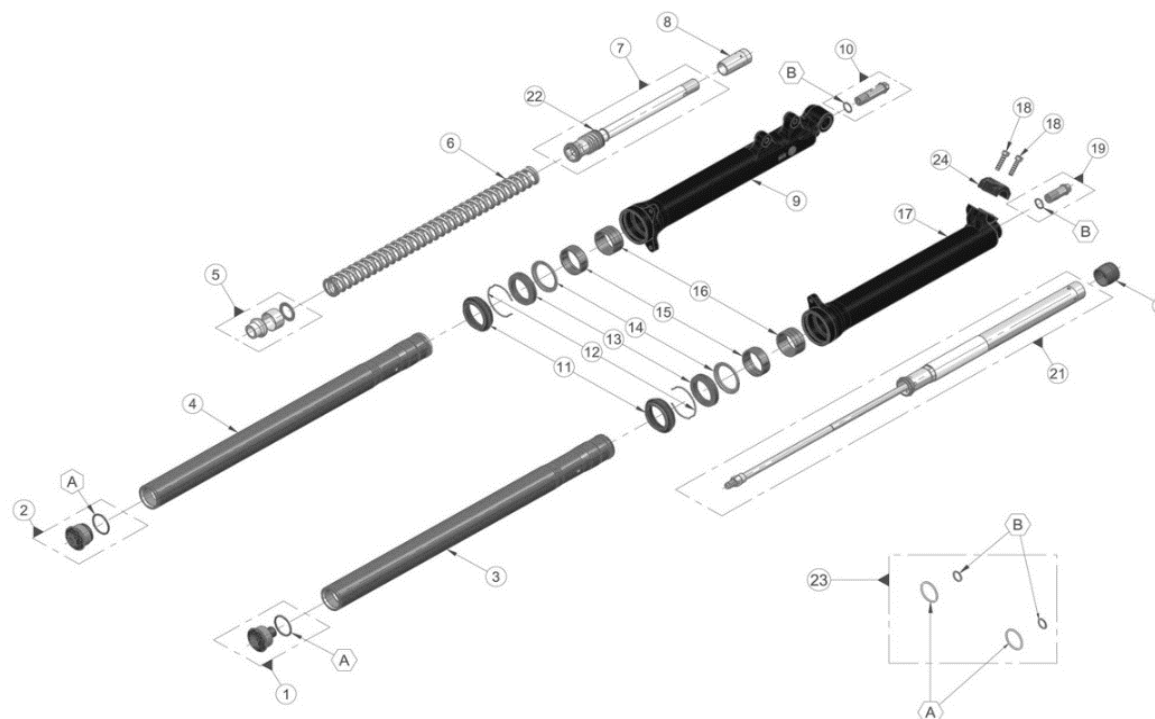
N°	REF.EM	DESIGNATION	Qty	N°	REF.EM	DESIGNATION	Qty
1	TC01Q-20502-00-00.....	2022 RACE/ESCAPE R UPPER FORK CLAMP DARK BLUE.....	1	13	0V010-08020-00-00.....	SCREW CHC 8 X 20.....	4
2	TC01Q-20501-00-00.....	2022 RACE/ESCAPE R LOWER FORK CLAMP DARK BLUE.....	1	14	0V010-08025-00-00.....	SCREW CHC 8 X 25.....	4
1'	TL02Q-20502-00-00.....	2022 EPURE/ESCAPE UPPER FORK CLAMP BLACK.....	1	15	TC01L-20503-00-00.....	AXLE STEERING.....	1
2'	TL02Q-20501-00-00.....	2022 EPURE/ESCAPE LOWER FORK CLAMP BLACK.....	1	16	TC01P-60306-00-00.....	STEERING STOP.....	2
1''	TC02Q-20502-00-00.....	UPPER FORK CLAMP DARK BLUE COMP.....	1	17	TL02P-20141-00-00.....	BRAKE HOSE GUIDE.....	1
2''	TC02Q-20501-00-00.....	LOWER FORK CLAMP DARK BLUE COMP.....	1	18	TC01P-70104-00-00-ASM.....	OFF ROAD FRONT PLATE WITH LIGHT.....	1
3, 4	0V010-06020-00-00.....	SCREW CHC 6 X 20.....	6	19	TC01Q-20514-00-00.....	CLUTCH HOSE GUIDE RING.....	1
5, 7	TL01J-20504-00-00.....	STEERING WASHER.....	2	20	0V040-05008-07-01.....	SCREW BHC M5X8 STEEL BLACK.....	1
6	TL02Q-20505-00-00.....	STEERING TOP BEARING NUT.....	1	21	0V040-04012-07-01.....	SCREW BHC M4X8 STEEL BLACK.....	2
8	TL01J-20506-00-00.....	DUST COVER STEERING.....	1				
9	TL02Q-20507-00-00.....	STEERING AXLE TOP NUT BLACK.....	1				
10	TC01R-20510-01-00.....	HANDLEBAR CLAMP.....	1				
11	TL02O-20510-02-00.....	UPPER HANDLEBAR CLAMP.....	2				

03 EPURE ESCAPE FORK



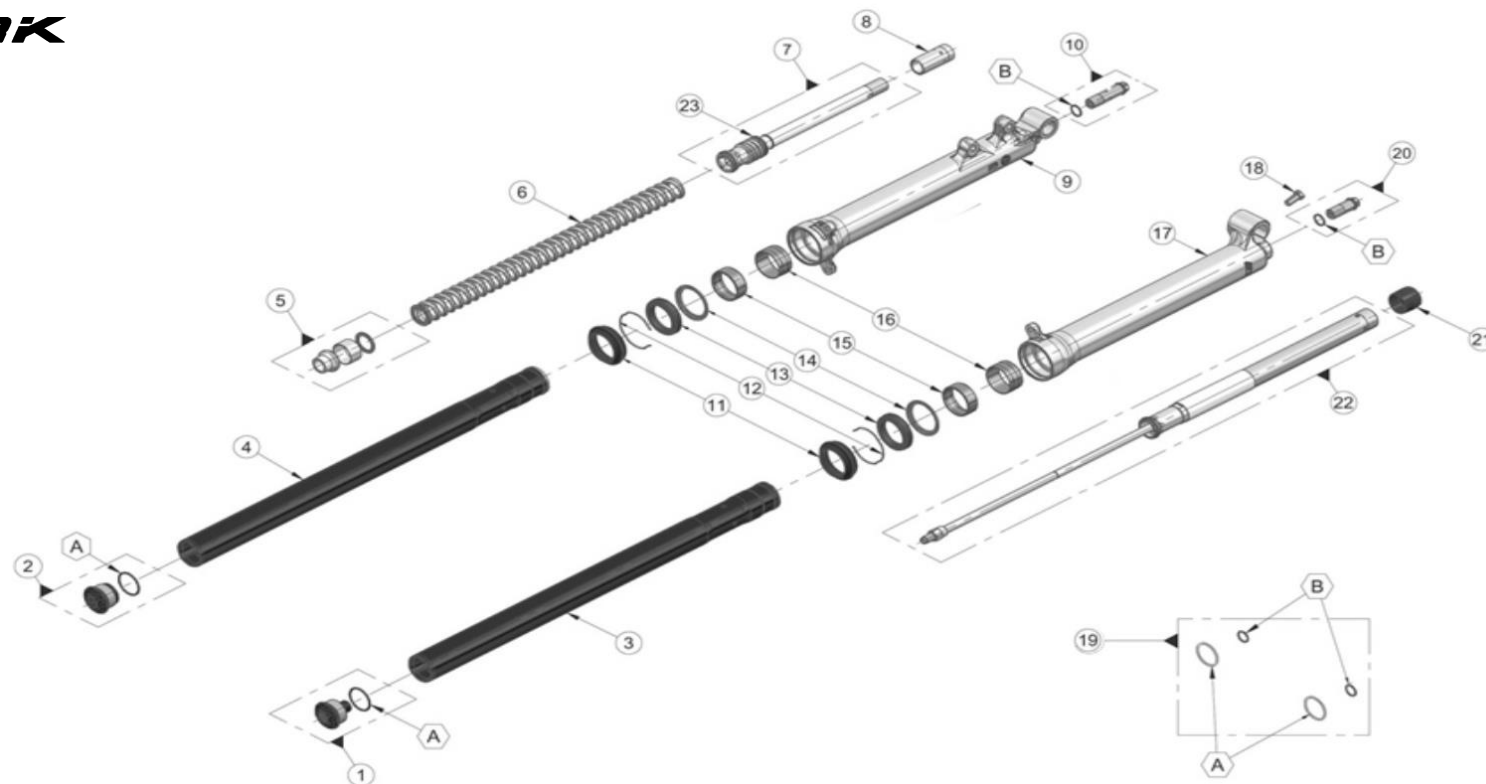
N°	REF.EM	DESIGNATION	Qty	N°	REF.EM	DESIGNATION	Qty
1	TL02N-20101-14-00.....	GR0P TOP CAP PRELOAD SPRING.....	2	15	TL02N-20103-00-00.....	COMPLETE FORK	1
2	TL02N-20101-07-00.....	RIGHT / LEFT FORK TUBE.....	2				
3	TL02N-20101-08-00.....	FORK SPRING.....	2				
4	TL02N-20101-15-00.....	DUST SEAL.....	2				
5	TL02N-20101-19-00.....	OIL SEAL CIRLPLIP.....	2				
6	TL02N-20101-17-00.....	OIL SEAL.....	2				
7	TL02N-20101-04-00.....	LEFT LEG.....	1				
8	TL02N-20101-50-00.....	RIGHT LEG.....	1				
9	TL02N-20101-31-00.....	HYDRAULIC CARTRIDGE.....	2				
10	TL02N-20101-18-00.....	CONE LIMIT.....	2				
11	TL02N-20101-42-00.....	LOWER CLAMP Ø25	1				
12	OV010-06025-00-00.....	SCREW TCCE M6X25 ZINC. WHITE.....	2				
13	TL02N-20101-29-00.....	LOCK SCREW PUMP + WASHER	2				
14	TL02N-20101-22-00.....	GROUP RINGS SEAL.....	2				

03-2 - ESCAPE "R" EPURE RACE FORK



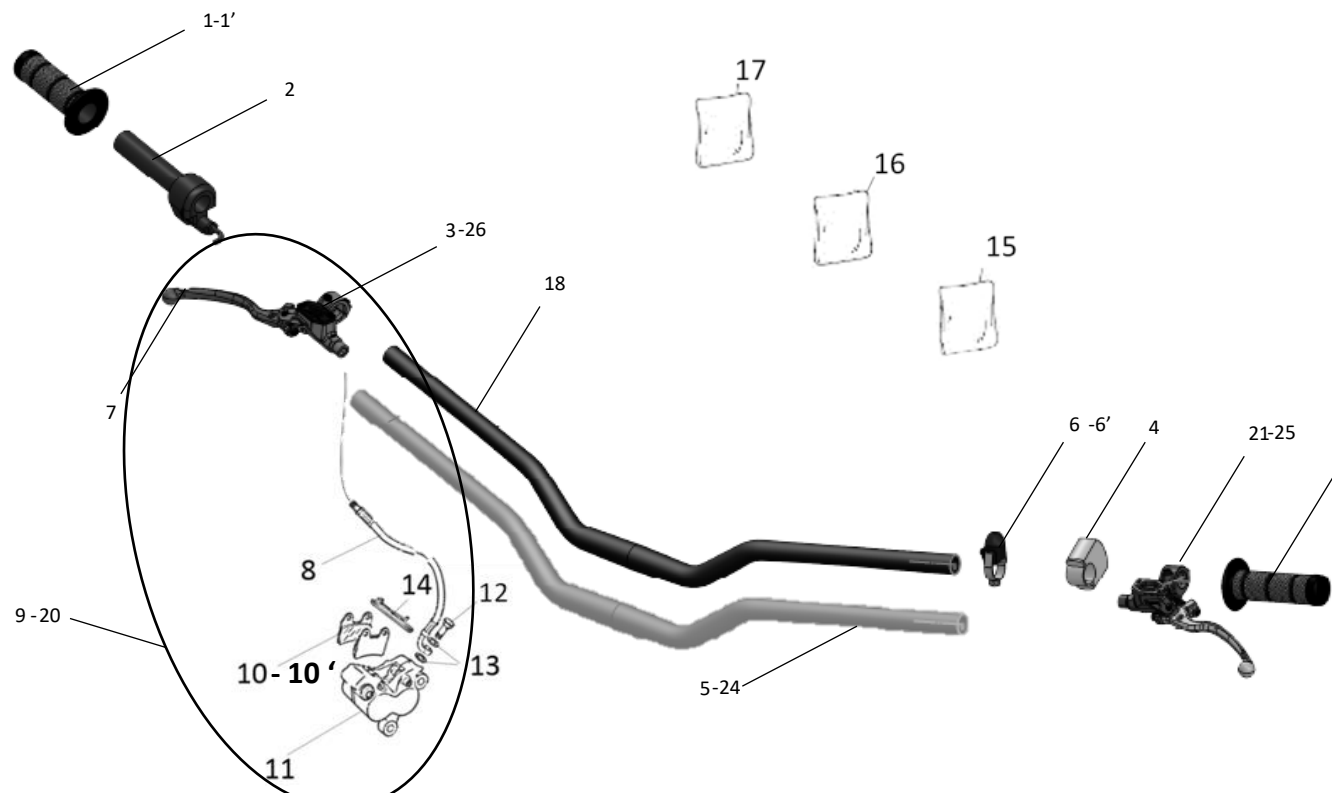
N°	REF.EM	DESIGNATION	Qty	N°	REF.EM	DESIGNATION	Qty
0	TC01P-20101-00-00.....	COMPLETE FORK RACE/ESCAPE R.....	1	11	TL02N-20101-15-00.....	DUST SEAL.....	2
1	TL01K-20114-00-00.....	GROUP TOP CAP EXTENSION.....	1	12	TL02N-20101-19-00.....	RING STOPPER OIL SEAL.....	2
2	TL01K-20113-00-00.....	GROUP TOP CAP PRELOAD SPRING.....	1	13	TL02N-20101-17-00.....	OIL SEAL.....	2
3	TC01P-20107-00-00.....	GROUP STANCHION TUBE REPLAY RIGHT.....	1	14	TC01P-20120-00-00.....	RING STOP BUSHING OIL SEAL.....	2
3'	TC01P-20107-00-00.....	GROUP STANCHION TUBE REPLAY RIGHT COMP 22	1	15	TL01K-20110-00-00.....	BUSH DU Ø39xØ43x15.....	2
4	TC01P-20106-00-00.....	GROUP STANCHION TUBE REPLAY LEFT.....	1	16	TL01K-20112-00-00.....	BUSH DU Ø38xØ40x20.....	2
4'	TC01P-20106-00-00.....	GROUP STANCHION TUBE REPLAY LEFT COMP 22	1	17	TC01P-20103-00-00.....	RIGHT LEG.....	1
5	TC01P-20111-00-00.....	GROUP SPACERS SPRING.....	1	18	TC01P-20125-00-00.....	SCREW TCCEIB M8x18 DIN 7984.....	1
6	TC01P-20109-00-00.....	FORK SPRING (progr. 1).....	1	19	TL01K-20122-00-00.....	GROUP RINGS SEAL.....	2
7	TL01K-20132-00-00.....	GROUP MECHANICAL PUMPING.....	1	20	TL01K-20124-00-00.....	GROUP LOCK SCREW HYDRAULIC PUMP.....	1
8	TC01P-20118-00-00.....	CONE LIMIT LEFT.....	1	21	TC01P20123-00-00.....	CONE LIMIT RIGHT.....	1
9	TC01P-20102-00-00.....	LEFT LEG.....	1	22	TC01P-20131-00-00.....	GROUP CARTRIDGE.....	1
10	TC01P-20129-00-00.....	NEEDLE REGULATION GROUP.....	1	23	TC01P-20130-00-00.....	SUPPORT RING FOR SPRING LIMIT.....	1
				24	TC01P-20142-00-00.....	LOWER CLAMP.....	1

03 3 COMP FORK



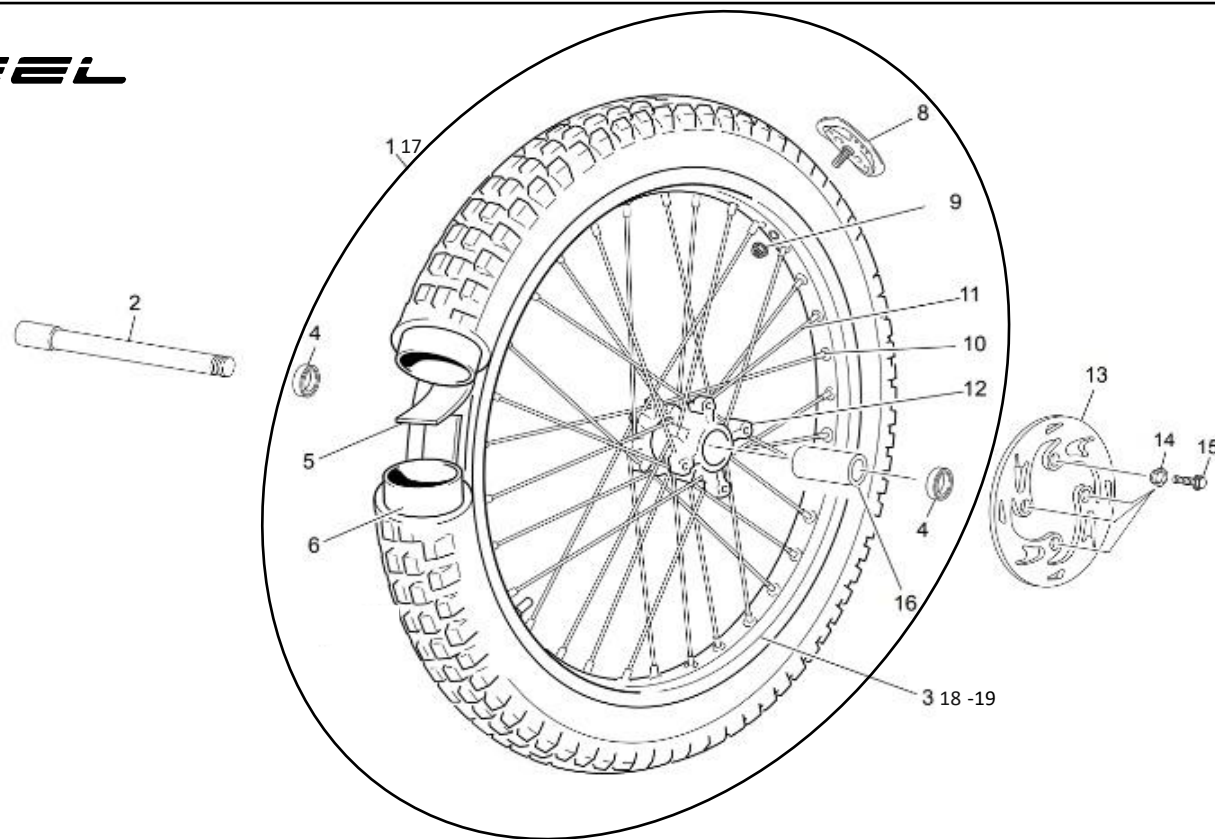
N°	REF.EM	DESIGNATION	Qty	N°	REF.EM	DESIGNATION	Qty
0	TC02Q-20101-00-00.....	COMPLETE FORK COMP 22	1	13	TL01K-20101-17-00.....	OIL SEAL.....	2
1	TL01K-20114-00-00.....	GROUP TOP CAP EXTENSION.....	1	14	TC01P-20120-00-00.....	RING STOP BUSHING OIL SEAL.....	2
2	TL01K-20113-00-00.....	GROUP TOP CAP PRELOAD SPRING.....	1	15	TL01K-20110-00-00.....	BUSH DU Ø39xØ43x15.....	2
3	TC02Q-20107-00-00.....	GROUP STANCHION TUBE REPLAY RIGHT COMP 22.....	1	16	TL01K-20112-00-00.....	BUSH DU Ø38xØ40x20.....	2
4	TC02Q-20106-00-00.....	GROUP STANCHION TUBE REPLAY LEFT COMP 22.....	1	17	TC02Q-20103-00-00.....	RIGHT LEG.....	1
5	TC01P-20111-00-00.....	GROUP SPACERS SPRING.....	1	18	TC01P-20125-00-00.....	SCREW TCCEIB M8x18 DIN 7984.....	1
6	TC01P-20109-00-00.....	FORK SPRING (progr. 1).....	1	19	TL01K-20122-00-00.....	GROUP RINGS SEAL.....	2
7	TL01K-20132-00-00.....	GROUP MECHANICAL PUMPING.....	1	20	TL01K-20124-00-00.....	GROUP LOCK SCREW HYDRAULIC PUMP.....	1
8	TC01P-20118-00-00.....	CONE LIMIT LEFT.....	1	21	TC01P20123-00-00.....	CONE LIMIT RIGHT.....	1
9	TC02Q-20102-00-00.....	LEFT LEG.....	1	22	TC01P-20131-00-00.....	GROUP CARTRIDGE.....	1
10	TC01P-20129-00-00.....	NEEDLE REGULATION GROUP.....	1	23	TC01P-20130-00-00.....	SUPPORT RING FOR SPRING LIMIT.....	1
11	TL02N-20101-15-00.....	DUST SEAL.....	2	24	TC01P-20142-00-00.....	LOWER CLAMP.....	1
12	TL01K-20101-19-00.....	RING STOPPER OIL SEAL.....	2				

04 HANDLEBAR



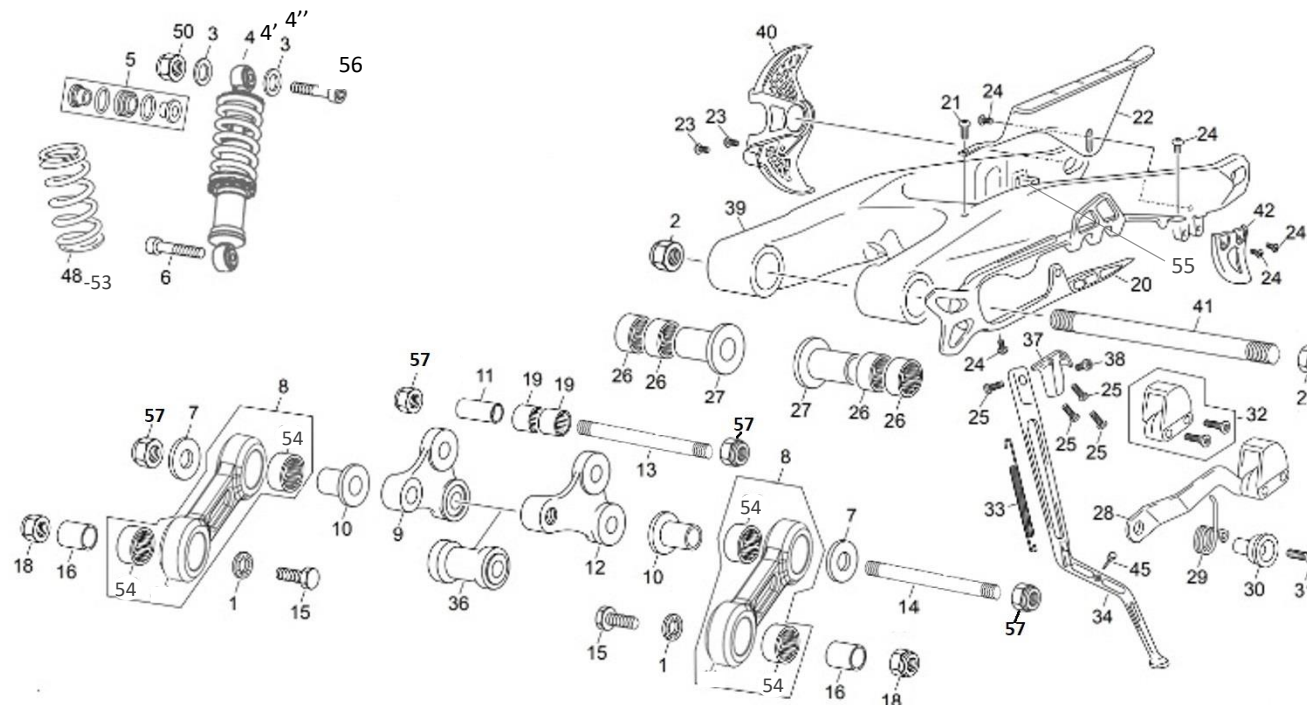
N°	REF.EM	DESIGNATION	Qty	N°	REF.EM	DESIGNATION	Qty
1	TC01P-60405-00-00.....	GRIPS SET.....	1	13	OR01-08021-00-00.....	WASHER SEAL M8.....	2
1'	TC01R-60405-00-00.....	GRIPS COMP.....	1	14	TL01J-20203-00-00.....	PAD PIN CLIP	1
2	TC01Q-60401-00-00-ASM	FULL DOMINO THROTTLE.....	1	15	TL01J-20220-00-00.....	FRONT BRAKE PUMP REPAIR KIT	1
3	TL01M-20210-00-00.....	FRONT BRAKE MASTER CYLINDER.....	1	16	TL01J-20221-00-00.....	FRONT CALIPER REPAIR KIT	1
4	TL02R-60407-00-00.....	MAIN MAP BOUTON + LED. 2023.....	1	17	TL01M-20225-00-00.....	FRONT BRAKE GROUP REPAIR KIT.....	1
5	TL01L-20511-00-00.....	HANDLEBAR EPURE / ESCAPE	1	18	TL01R-20511-00-00.....	RACE/ESCAPE R HANDLEBAR	1
6	TL01N-60101-00-00.....	CIRCUIT BRAKER MAGNET.....	1	20	TC01O-20200-00-00.....	COMPLETE FRONT BRAKE RACE/ESCAPE R.....	1
6'	TL01N-60101-00-01.....	EM LANYARD AND MAGNET ONLY	1	21	TC01O-50510-00-00.....	CLUTCH MASTER CYLINDER	1
7	TL01J-20211-00-00.....	FRONT BRAKE LEVER.....	1	22	TC01O-50510-00-00.....	CLUTCH MASTER CYLINDER	1
8	TL01M-20212-00-00.....	FRONT BRAKE HOSE.....	1	23	TC01O-50510-00-00.....	CLUTCH MASTER CYLINDER	1
9	TL02O-20200-00-00.....	COMPLETE FRONT BRAKE EPURE / ESCAPE	1	24	TC02Q-20511-00-00.....	HANDELBAR COMP 2023 GREY TITANIUM.....	1
10	TL01J-20205-00-00.....	FRONT PAD KIT EPURE / ESCAPE.....	1	25	TC02Q-50510-01-00.....	CLUTCH MASTER CYLINDER LID COMP.....	
10'	TC01O-20205-00-00.....	FRONT PAD KIT RACE/ESCAPE R.....	1	26	TC01Q-20227-00-00.....	BRAKE MASTER CYLINDER LID COMP.....	
11	TL01J-20217-00-00.....	FRONT CALIPER	1				
12	TL01J-20216-00-00.....	BANDJO WITH CAP.....	1				

05 FRONT WHEEL



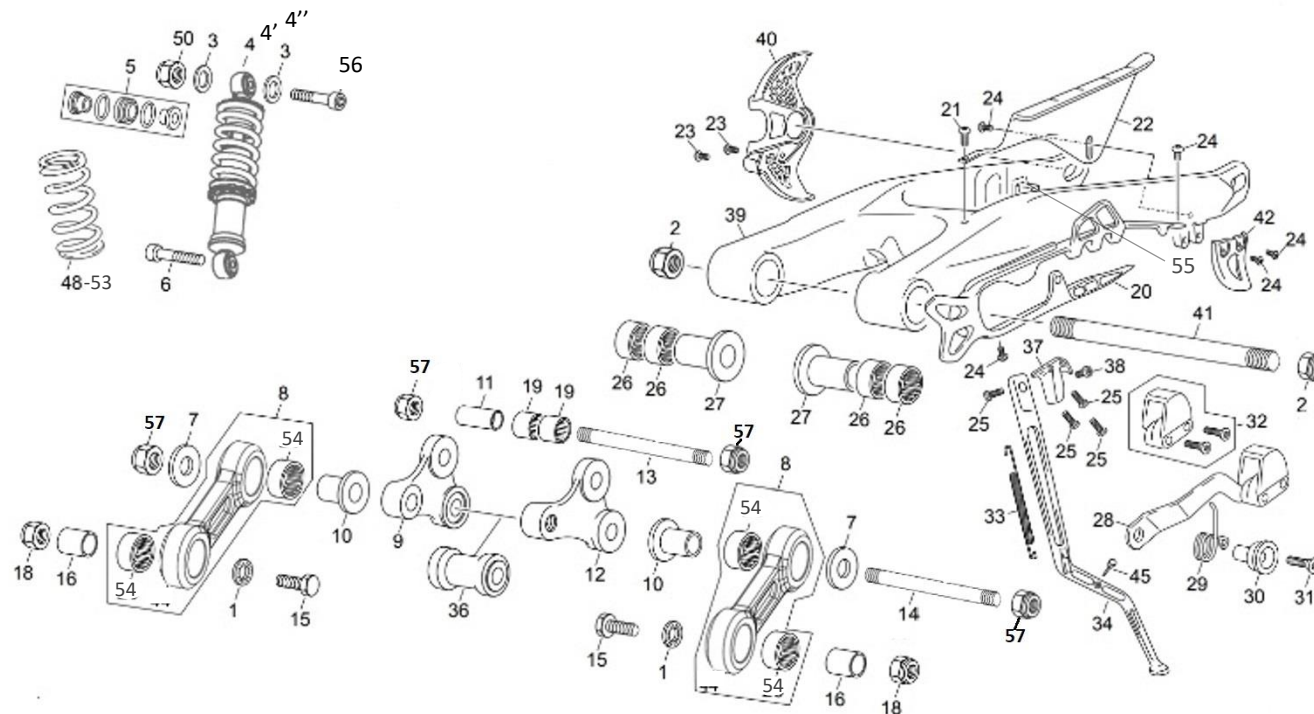
N°	REF.EM	DESIGNATION	Qty	N°	REF.EM	DESIGNATION	Qty
1	TC01Q-20301-00-00.....	COMPLETE FRONT WHEEL RACE/ESCAPE R.....	1	15	0V150-06020-00-00.....	SPECIAL HEXAGONAL SCREW M 6 X 20.....	4
2	TL01K-20404-00-00.....	FRONT WHEEL AXLE.....	1	16	TL01J-20316-00-00.....	FRONT HUB SPACER.....	1
3	TL01Q-20311-00-12.....	COMPLETE FRONT WHEEL RACE/ESCAPE R WT TYRE	1	17	TL02Q-20301-00-00.....	COMPLETE FRONT WHEEL EPURE / ESCAPE.....	1
4	ORBR1-06004-01-00.....	6004 2RS HUB BEARING.....	2	18	TL02Q-20311-00-12.....	COMPLETE FRONT WHEEL WITHOUT TYRE EPURE /ESCAPE.....	1
5	TL01J-20322-00-00.....	RUBBER RIM PROTECTOR.....	1	19	TC02Q-20311-00-12.....	COMPLETE FRONT WHEEL WITHOUT TYRE COMP	1
6	TL01J-20323-00-00.....	21" TUBE.....	1				
8	TL01J-20321-00-00.....	GRIPSTER.....	1				
9	OEC08-08000-00-00.....	NUT NYLSTOP M 8.....	1				
10	TL01J-20313-00-00.....	FRONT SPOKE NIPPLE.....	32				
11	TL01J-20314-00-00.....	BLACK FRONT SPOCKE.....	32				
13	TL02Q-20222-00-00.....	FRONT BRAKE DISC	1				
14	TL01J-20223-00-00.....	FRONT DISC SPACER	4				

06 REAR SUSPENSION



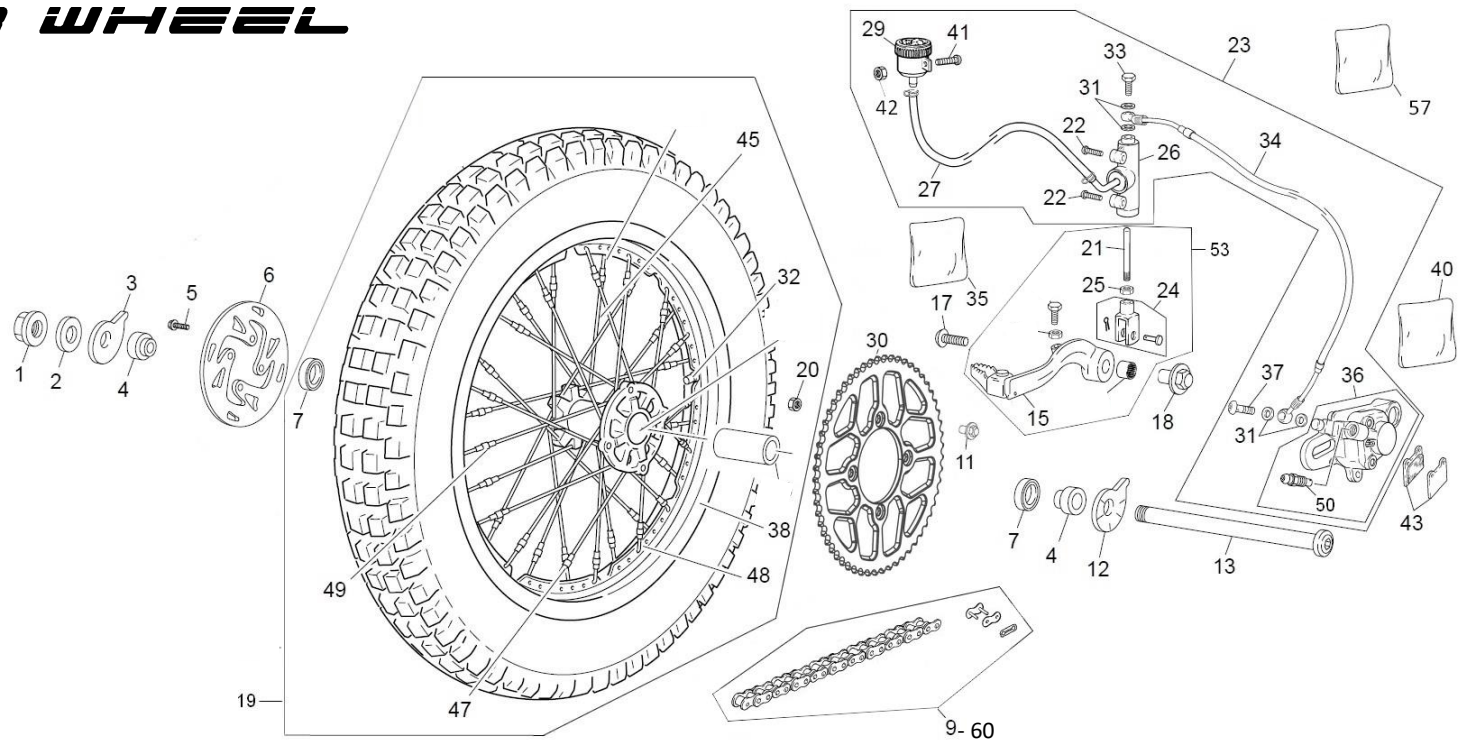
N°	REF.EM	DESIGNATION	Qty	N°	REF.EM	DESIGNATION	Qty
1	OR002-08013-02-00-ZI.....	WASHER AET 8.....	2	13	TL02Q-30215-00-00.....	SUSPENSION ROCKER ROD	1
2	TL01Q-30103-00-00.....	SWINGARM NUT M14 BLACK.....	2	14	TL02Q-30216-00-00.....	SUSPENSION LINK ROD.....	1
3	OR001-10020-02-00.....	WASHER M10	2	15	OV100-08035-00-00.....	HEGAGONAL SCREW 8 X 35.....	2
4	TL02Q-30401-00-00.....	EPURE / ESCAPE REAR SHOCK ABSORBER	1	16	TC010-30113-00-00.....	SUSPENSION LINK SPACER.....	2
4'	TC01R-30414-00-00.....	REIGER EPURE RACE REAR SHOCK ABSORBER 2 WAY.....	1	18	OEC08-08000-00-00.....	NUT NYLSTOP M8.....	2
4''	RL03Q-30401-00-00.....	ESCAPE / ESCAPE R REAR SHOCK ABSORBER.....	1	19	TL01J-30106-00-00.....	NEEDLE BEARING 16 X 20 X 2RS.....	2
4'''	TC02R-30401-00-00.....	REIGER REAR SHOCK COMP.....	1	20	TL01J-30140-00-00.....	CHAIN GUIDE.....	1
5	TL01J-30411-00-00.....	BALL AND SOCKET SEAL R16V.....	1	21	OV040-05016-00-00.....	SCREW BHC 5 X 16.....	1
6	OV010-10042-04-00.....	AXLE 10 X 46.....	1	22	TL01J-30141-00-00.....	CHAIN PROTECTOR.....	1
7	OR001-10030-2E-00.....	WASHER 10 X 30.....	2	23	OV040-06010-00-00.....	SCREW BHC 6 X 10.....	2
8	TC020-30111-00-00.....	REAR SUSPENSION LINK WITH BEARINGS.....	2	24	OV040-05010-00-00.....	SCREW BHC 5 X 10.....	5
9	TC020-30108-02-00.....	REAR SUSPENSION DELTA LINK LEFT.....	1	25	OV040-08012-00-00.....	SCREW BHC 8 X 12.....	4
10	TC010-30109-00-00.....	SWING ARM SPACER	2	26	TL01J-30104-00-00.....	NEEDLE BEARING 20 x 20 X 2RS.....	4
11	TL01J-30107-00-00.....	SUSPENSION SPACER.....	1	27	TI01J-30105-00-00.....	SWINGARM SPACER.....	2
12	TC020-30108-01-00.....	REAR SUSPENSION DELTA LINK RIGHT.....	1	28	TC01Q-30130-00-00.....	CHAIN TENSIONER.....	1
				29	TC01P-30132-00-00.....	CHAIN TENSIONER SPRING.....	1

06 REAR SUSPENSION



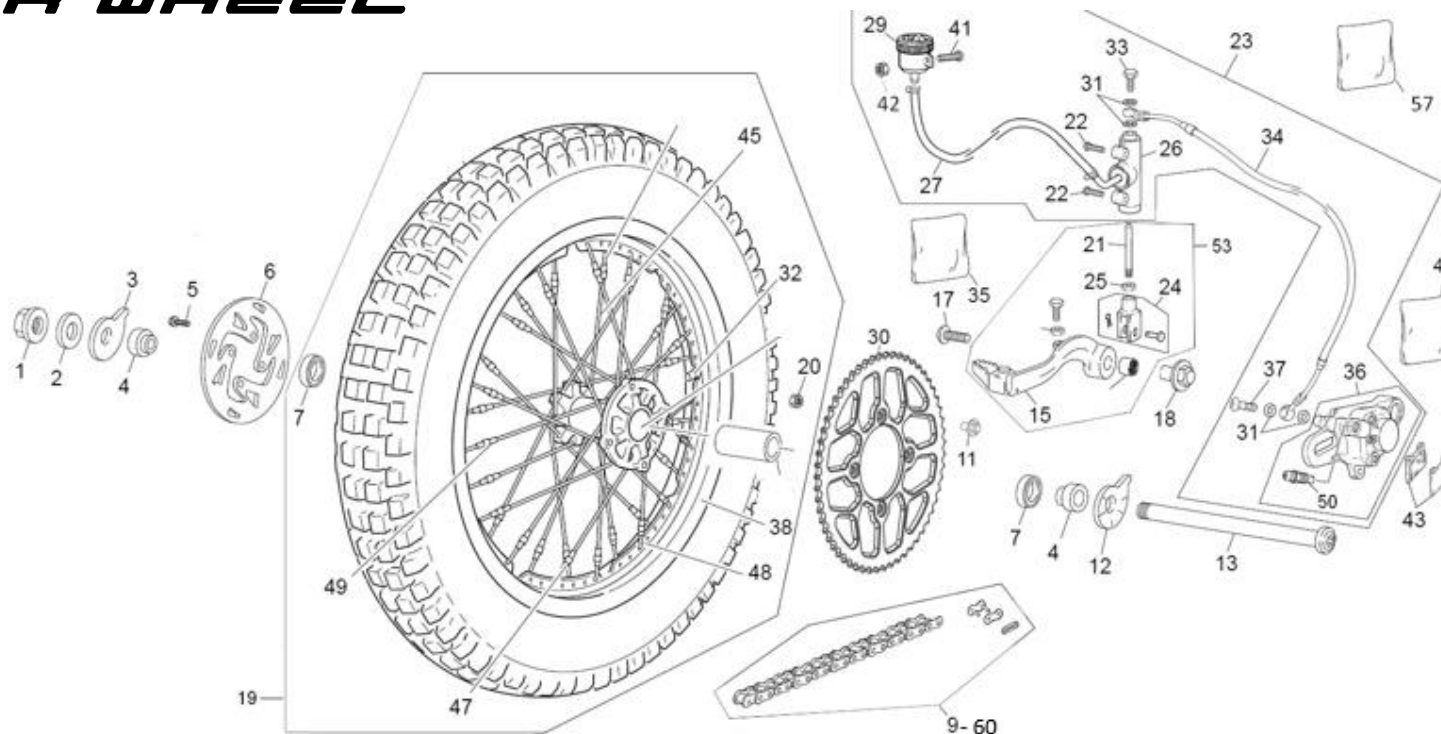
N°	REF.EM	DESIGNATION	Qty	N°	REF.EM	DESIGNATION	Qty
30	TL01J-30131-00-00.....	CHAIN TENSIONER SPACER	1	45	TL01J-30144-00-00.....	STAND RUBBER.....	1
31	OV020-08035-00-00.....	SCREW FHC 8 X 35.....	1	48	TC01Q-30402-00-00.....	MEDIUM REAR SHOCK SPRING (GOLD).....	1
32	TL01J-30130-02-00.....	CHAIN TENSIONER RUBBER.....	1	50	OEC08-10000-00-00.....	NUT NYLSTOP M10.....	1
33	TL01J-30123-00-00.....	LATERAL STAND SPRING.....	1	53	RL03N-30402-00-00.....	HARD REAR SHOCK SPRING (WHITE).....	1
34	TL02R-30121-00-00.....	LATERAL STAND BLACK	1	54	ORARN-HK1516-2R-00.....	NEEDLE BEARING 15X21X16 X 2RS.....	8
36	TC02O-30108-03-00.....	DELTA LINK SPACER.....	1	55	TL02Q-30141-01-00.....	CHAIN GUARD SUPPORT BRACKET.....	1
37	TL01J-30120-00-00.....	STAND HOLDER.....	1	56	TL02O-30413-00-00.....	SPECIAL SHOCK ABSORBER SCREW.....	1
38	TL01J-30122-00-00.....	SPECIAL STAND SCREW.....	1	57	OEC15-10010-03-00.....	M10 NUT THIN THREAD	4
39	TC01Q-30101-00-00.....	BLACK SWINGARM 2022.....	1				
40	TL01J-30142-00-00.....	BRAKE DISC PROTECTOR.....	1				
41	TL01Q-30102-00-00.....	SWING ARM AXLE.....	1				
42	TL01J-30143-00-00.....	SPROCKET PROTECTOR.....	1				

07 REAR WHEEL



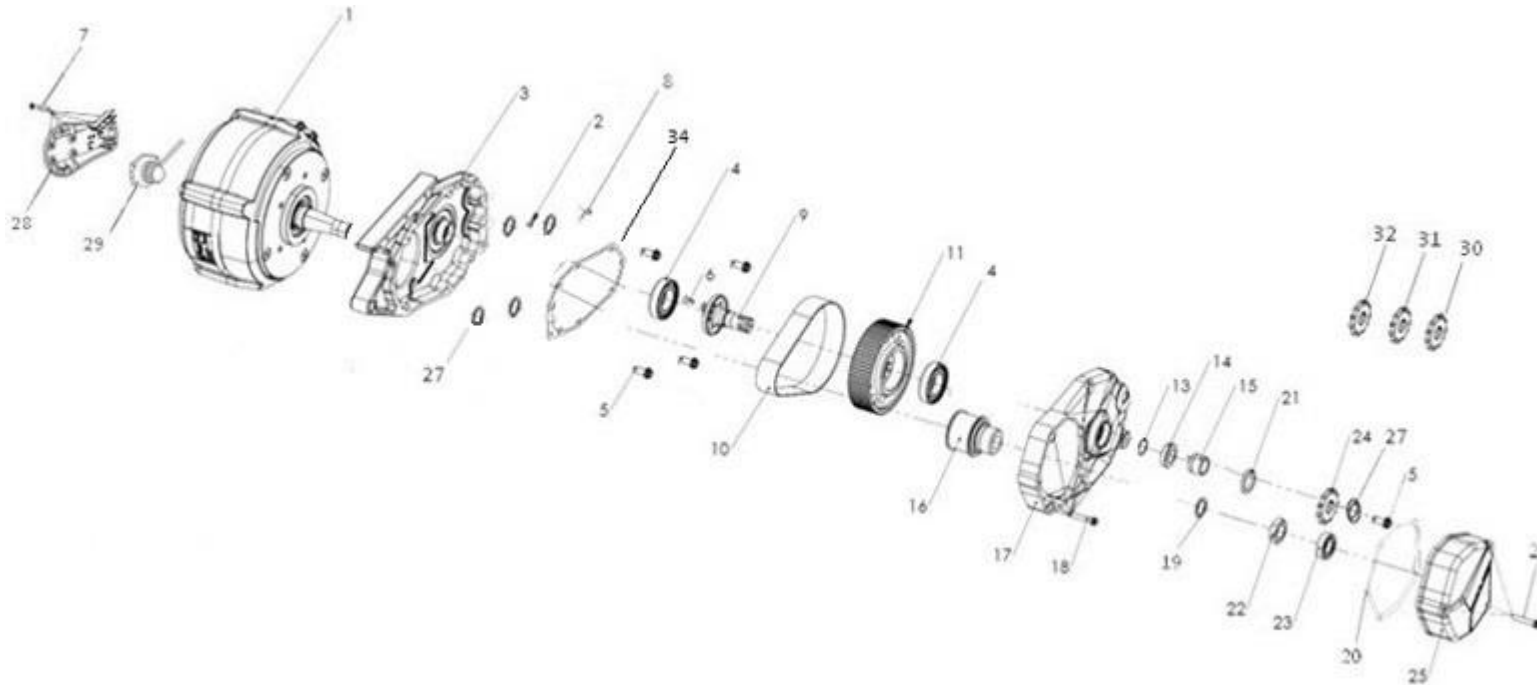
N°	REF.EM	DESIGNATION	Qty	N°	REF.EM	DESIGNATION	Qty
1	TL01Q-30303-00-00.....	BLACK M17 NUT.....	1	17	0V010-08020-01-00.....	SCREW CHC 8X20 SHORT HEAD.....	2
2	OR001-16030-03-01.....	BLACK WASHER M16.....	1	18	TL02Q-30201-01-02.....	BRAKE PEDAL SPACER.....	1
3	TL02Q-30305-00-00.....	RIGHT CHAIN CAM ADJUSTER.....	1	19	TL02Q-30301-00-00.....	REAR TRIAL WHEEL ASSY ESCAPE/LITE.....	1
3'	TC02P-30305-00-00.....	COMP CHAIN ADJUSTER SET.....	1	19'	TC01Q-30301-00-00.....	REAR TRIAL WHEEL ASSY RACE ESCAPE R.....	1
4	OE-013-17-027-00-00.....	REAR WHELL SPACER.....	2	19''	TC02P-30301-00-00.....	REAR TRIAL WHEEL ASSY COMP.....	1
5	0V150-06020-00-00.....	SCREW TH E 6 X 20.....	4	20	OEC08-08000-00-00.....	NUT NYLSTOP M8.....	4
6	TC02Q-30203-00-00.....	2022 REAR FIM APPROVED BRAKE TRIAL DISC.....	1	21	TL01J-30221-00-00.....	REAR BRAKE ROD.....	1
7	ORBR1-06004-01-00.....	6004 2RS HUB BEARING.....	2	22	0V040-06016-00-00.....	SCREW BHC 6 X 20.....	2
9	OCHA4-28128-00-05.....	LOW FRICTION CHAIN RACE/ESCAPE R.....	1	23	TL01J-30200-00-00.....	COMPLETE REAR BRAKE.....	1
11	OV020-08025-00-00.....	SCREW FHC M8x25.....	4	24	TL01J-30220-00-00.....	BRAKE PEDAL CLEVIS.....	1
12	TL02Q-30304-00-00.....	LEFT CHAIN CAM ADJUSTER BLACK.....	1	25	OEC02-06000-00-00.....	STANDARD NUT M6.....	1
13	TL02Q-30302-00-00.....	BLACK REAR WHEEL AXLE.....	1	26	TL01J-30202-00-00.....	REAR BRAKE PUMP.....	1
15	TC01R-30201-00-00.....	REAR BRAKE PEDAL.....	1	27	TL01J-30210-00-00.....	FLUID TANK PIPE.....	1
				29	TL01J-30209-00-00.....	BRAKE FLUID TANK.....	1

07 REAR WHEEL



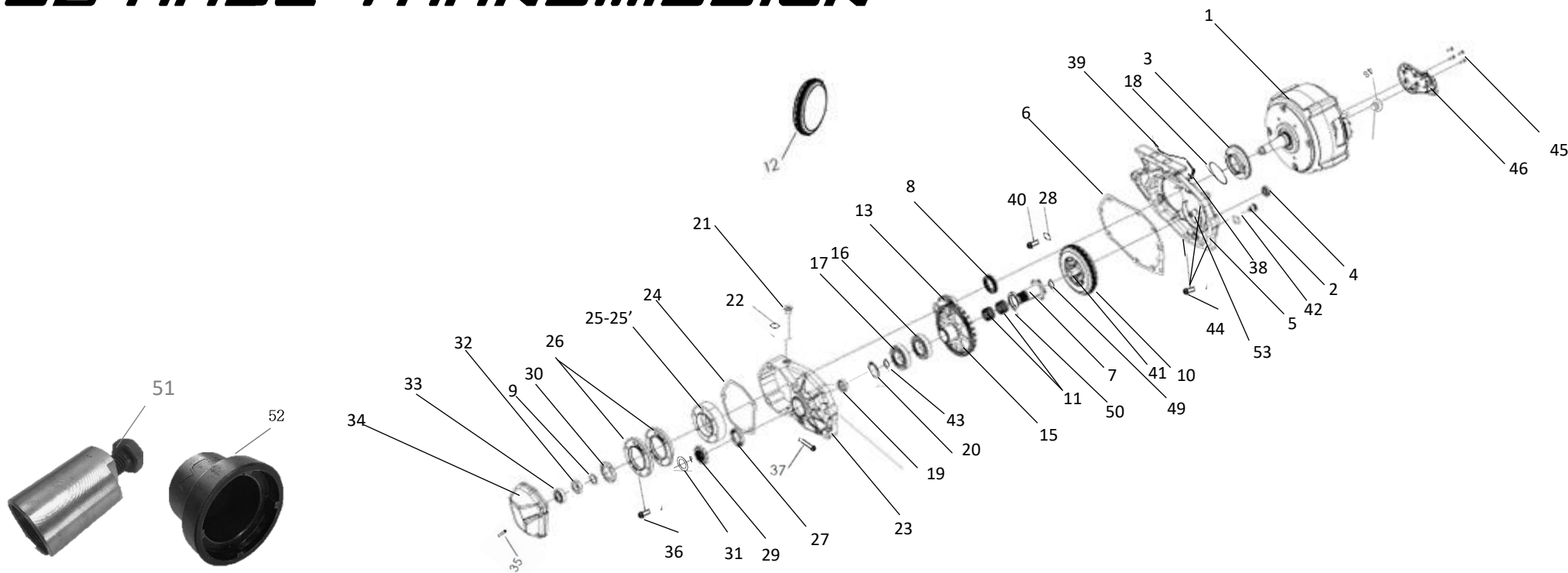
N°	REF.EM	DESIGNATION	Qty	N°	REF.EM	DESIGNATION	Qty
30	OCR30-00428-57-01.....	SPROCKET 57 T EPURE / ESCAPE / RACE/ ESCAPE R	1	45	TL01J-30316-00-00.....	REAR WHEEL DISC SPOKE	16
30'	OCR30-00428-59-00.....	SPROCKET 59 T COMP BLACK.....	1	47	TL01J-30315-00-00.....	REAR WHEEL SPROCKET SPOKE.....	16
31	OJA00-10014-1E-00.....	WASHER 10 X 14 X 1,5.....	4	48	TL01J-30314-00-00.....	REAR WHEEL SHORT SPOKE.....	32
32	TL01J-30320-00-00.....	TUBELESS VALVE.....	1	49	TL01J-30313-00-00.....	REAR SPOKE NIPPLE.....	32
33	OV160-10021-00-00.....	SCREW BHC PRESSURE HOSE.....	1	50	TL01J-30207-00-00.....	REAR BLEEDER CAP ASSY.....	1
34	TL01J-30208-00-00.....	REAR BRAKE HOSE.....	1	53	TC01R-30201-00-00-ASM.....	COMPLETE BRAKE PEDAL. WITH CLEVIS.....	1
35	TL01J-30212-00-00.....	REAR BRAKE PUMP KIT REPAIR.....	1	57	TL01J-30214-00-00.....	REAR PAD KIT.....	1
36	TL01J-30204-00-00.....	REAR BRAKE CALIPER.....	1	60	OCHA4-28128-00-02.....	RENFORCED CHAIN EPURE / ESCAPE.....	1
37	OV140-10021-00-00.....	SCREW TH PRESSURE HOSE.....	1	62	TL02Q-30311-00-01.....	REAR WHEEL LITE/ESCAPE WITHOUT TYRE.....	1
38	TC02Q-30311-00-12.....	REAR WHEEL BLACK + HUB BLACK +FACTORY 2022.....	1				
40	TL01J-30213-00-00.....	REAR CALIPER REPAIR KIT.....	1				
41	OV100-06016-00-00.....	SCREW BHC BASE M5X12.....	1				
42	OEC08-05000-00-00.....	NUT NYLSTOP M5.....	1				
43	TL01J-30205-00-00.....	PAIR REAR BRAKE PAD	1				

08 - EPURE ESCAPE TRANSMISSION



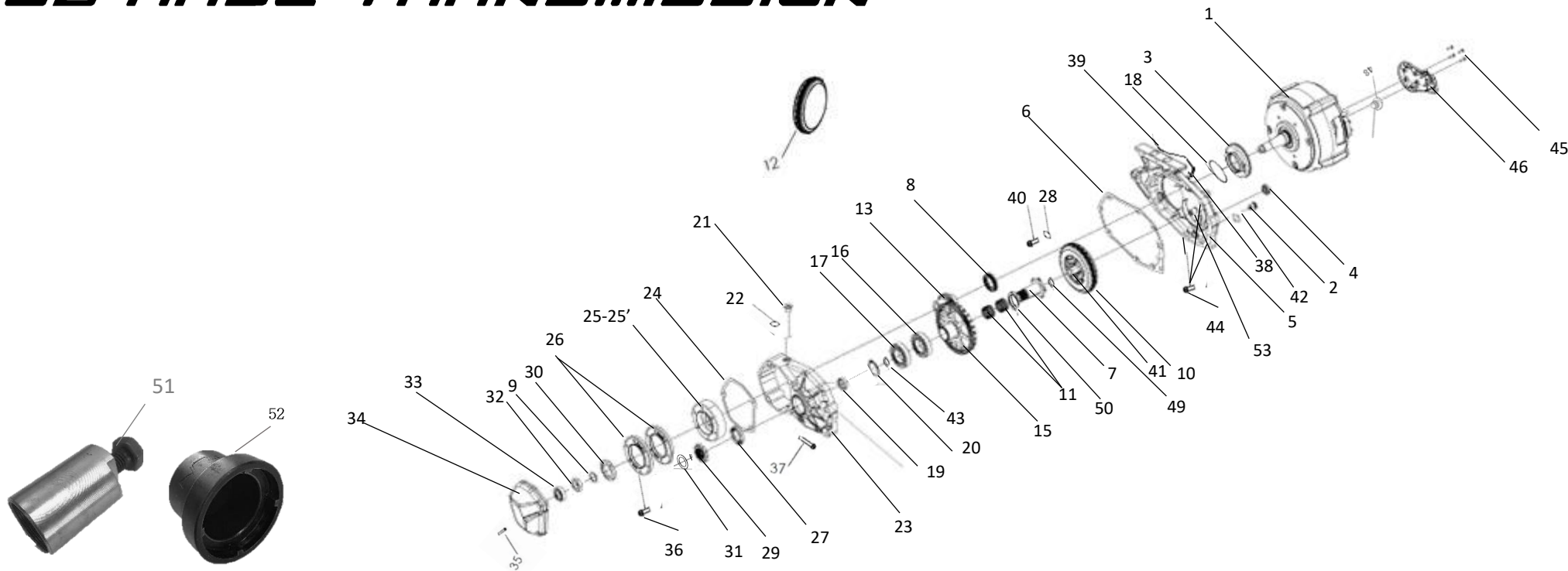
N°	REF.EM	DESIGNATION	Qty	N°	REF.EM	DESIGNATION	Qty
1	TC010-40100-01-00.....	ENGINE.....	1	20	TC010-50149-00-00.....	INERTIA GASKET	1
2	OV009-05006-00-00.....	HEAD LESS SCREW M5x6 Hex.....	3	21	OSP25-04206-00-00.....	OIL SEAL 25x42x6.....	1
3	TL02Q-50101-01-00.....	RIGHT MAIN CARTER.....	1	22	OEC03-20009-00-00.....	NUT M20.....	1
4	ORBR1-06006-01-00.....	BEARING 6006.....	2	23	ORBR1-06003-01-00.....	BEARING 6003 2RS.....	1
5	OV150-08020-00-00.....	SCREW THE M8X20.....	4	24	OP316-20428-11-10.....	11T SPROCKET.....	1
6	OV020-05012-09-00.....	SCREW FHC M5X12.....	6	25	TL02Q-50141-00-00.....	INERTIA CARTER.....	1
8	OPC-04010-00-00.....	PIN CENTERING.....	3	26	OV150-06045-00-00.....	SCREW THE M6X45.....	3
9	TL02O-50111-00-00.....	SECONDARY SHAFT	1	27	OR012-08018-00-00.....	WASHER CONTACT M8X18.....	5
10	TL02N-50128-00-00.....	BELT 8M GT3 -480-25mm.....	1	28	TC010-40113-00-00.....	MOTOR SENSOR COVER.....	1
11	TL02N-50120-00-00.....	DRIVEN PULLEY 8M 50T.....	1	29	TL01N-40100-00-02.....	SENSOR.....	1
13	OJT00-01921-01-00.....	O-RING 19X21X1.....	1	30	OP316-20428-13-10.....	SPROCKET 13 TEETH.....	1
14	ORBR1-06004-01-00.....	BEARING 6004 2RS.....	1	31	OP316-20428-09-10.....	SPROCKET 9 TEETH.....	1
15	TL02Q-50131-00-00.....	SPROCKET SPACER.....	1	32	OP316-20428-10-10.....	SPROCKET 10 TEETH.....	1
16	TL02N-50123-00-00.....	DRIVE PULLEY 8M 20T.....	1	33	TL02O-T0201-00-00.....	FIRST GEAR/PULLEY TOOL EXTRACTOR.....	1
17	TL02Q-50102-01-00.....	LEFT MAIN CARTER.....	1	34	TC010-50148-00-00.....	MAIN GASKET.....	1
18	OV150-06035-00-00.....	SCREW THE M6x35.....	7				
19	OR001-20060-04-00.....	WASHER M20.....	1				

03 RACE TRANSMISSION



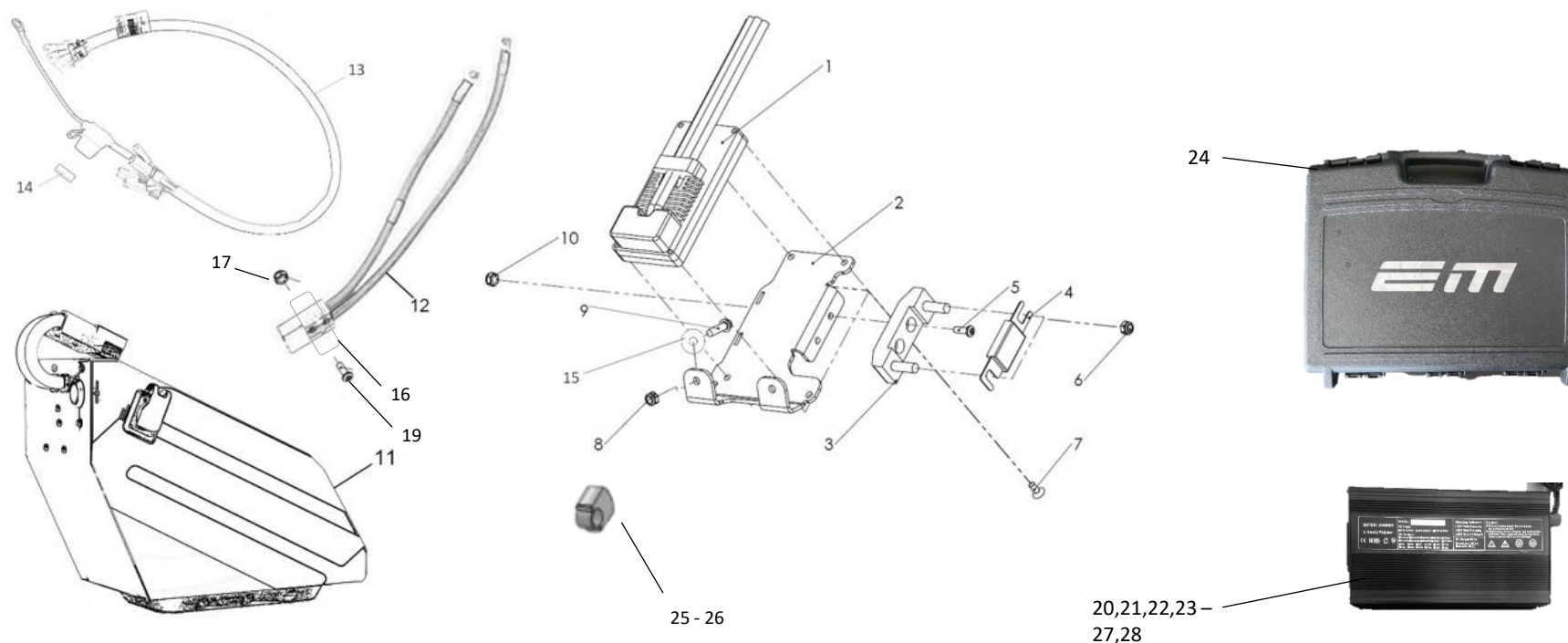
N°	REF.EM	DESIGNATION	Qty	N°	REF.EM	DESIGNATION	Qty
1	TC010-40100-01-00.....	ENGINE.....	1	19	TC010-50131-00-00.....	SPROCKET SPACER.....	1
2	TC010-50506-00-00.....	EMPTYING CAP WITH MAGNET.....	1	20	OJT00-24028-02-00.....	O-RING 24,6X1,8.....	2
3	TC010-50147-00-00.....	ENGINE GEAR ADJUSTER.....	1	21	TC010-50505-00-00.....	OIL PLUG.....	1
4	TC010-50507-00-00.....	OIL LEVEL EYE.....	1	22	OR010-12018-02-00.....	WASHER 12X18.....	1
5	TC01Q-50101-01-00.....	RIGHT MAIN CARTER.....	1	23	TC01Q-50102-01-00.....	LEFT MAIN CARTER.....	1
6	TC010-50148-00-00.....	MAIN GASKET.....	1	24	TC010-50149-00-00.....	FLYWHEEL GASKET.....	1
7	TC010-50503-00-00.....	SECONDARY SHAFT.....	1	25	TC01R-50601-00-00.....	FLYWHEEL (RACE).....	1
8	OSP47-03007-00-00.....	OIL SEAL 30x47X7.....	1	25'	TC010-50601-00-00.....	FLYWHEEL (ESCAPE R).....	1
9	OR001-20060-04-00.....	WASHER 20.2X27X1.....	1	26	TC010-50602-00-00.....	FLYWHEEL MASS (ESCAPE R).....	2
10	TC02P-50500-00-00.....	COMPLETE CLUTCH.....	1	27	OSP47-03506-00-00.....	OIL SEAL 35X47X6.....	1
11	ORARN-K252917-00-00.....	NEEDLE CAGE 25X29X17.....	2	28	OR010-08014-01-00.....	WASHER M8.....	4
12	TC02P-50500-01-00.....	CLUTCH DISCS KIT RACE/ESCAPE R / COMP.....	1	29	OP422-25428-11-00.....	SPROCKET 11T.....	1
13	TC010-50150-00-00.....	PRIMARY GEAR.....	1	30	TC010-50603-00-00.....	GEAR NUT.....	1
15	TC010-50502-00-00.....	CLUTCH CROWN.....	1	31	OCPO0-01025-01.....	CIRCLIP 25X1,2.....	1
16,17	ORBR0-06007-00-00.....	BEARING 6007.....	2	32	OEC03-20009-00-00.....	NUT M20.....	1
18	OJT00-86089-01-00.....	O-RING.....	1	33	ORBR1-06003-01-00.....	BEARING 6003 2RS.....	1

03 RACE TRANSMISSION



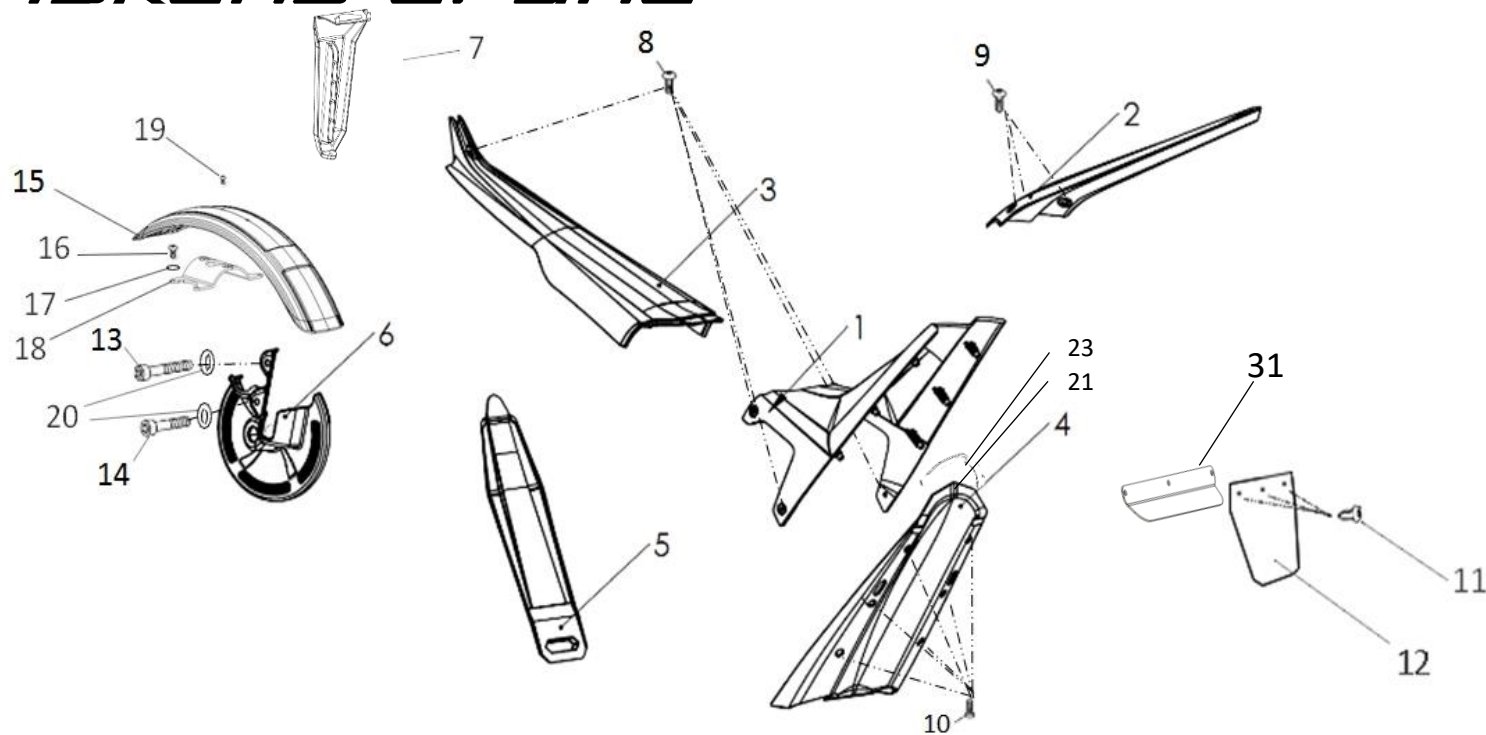
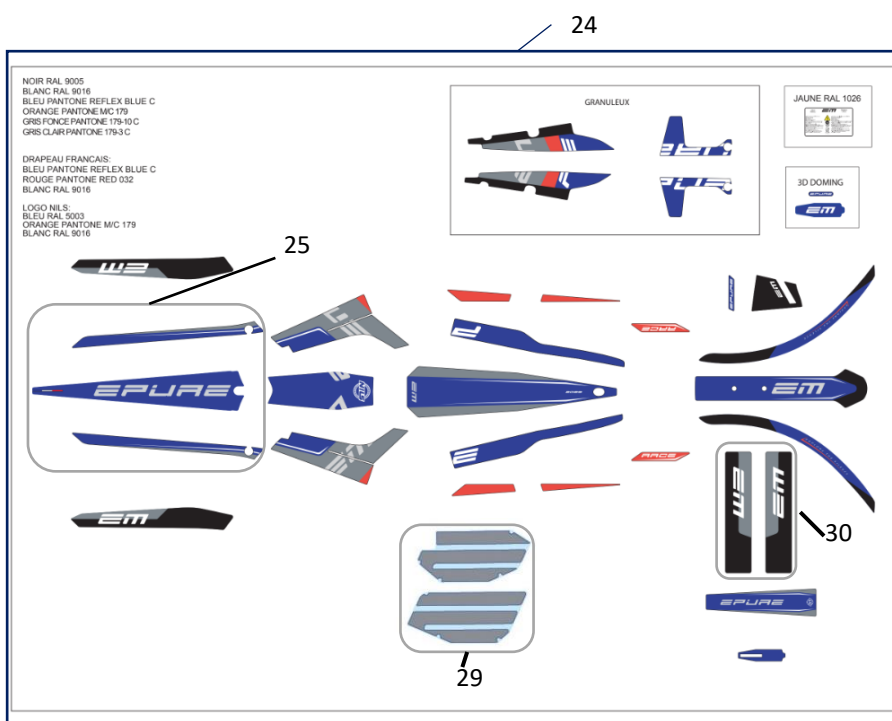
N°	REF.EM	DESIGNATION	Qty	N°	REF.EM	DESIGNATION	Qty
34	TC01Q-50141-00-00.....	FLYWHEEL CARTER.....	1	51	TL02O-T0201-00-00.....	FIRST GEAR/PULLEY TOOL EXTRACTOR.....	1
35	OV150-06035-00-00.....	SCREW THE M6x35.....	3	52	TL02O-T0202-00-00.....	INERTIA EXTRACTOR.....	1
36	OV040-06030-00-00.....	SCREW BHC M6X25.....	6	53	OJT00-11014-01-00.....	ORING SEAL 11,5x1,5.....	2
37	OV150-06035-00-00.....	SCREW THE M6x35.....	7				
38	TC01O-50508-00-00.....	EVAPORATION T.....	1				
39	TC01O-50509-00-00.....	EVAPORATION HOSE.....	1				
40	OV150-08020-00-00.....	SCREW THE M8X20.....	4				
41	TC01R-50514-00-00.....	PISTON.....	1				
42	OR010-12018-02-00.....	WASHER 12X18.....	1				
43	OCP00-01035-01.....	CIRCLIP 35X1,5.....	1				
44	OPC-04010-00-00.....	PIN CENTERING.....	3				
46	TC01O-40113-00-00.....	COVER SENSOR MOTOR.....	1				
48	TL01N-40100-00-02.....	SENSOR.....	1				
49	OBARN-AXK1730-00-00.....	THRUST NEEDLE ROLLER AXK1730.....	1				
50	OBARN-AXK2542-00-00.....	THRUST NEEDLE ROLLER AXK2542.....	1				

10 ELECTRIC INSTALLATION



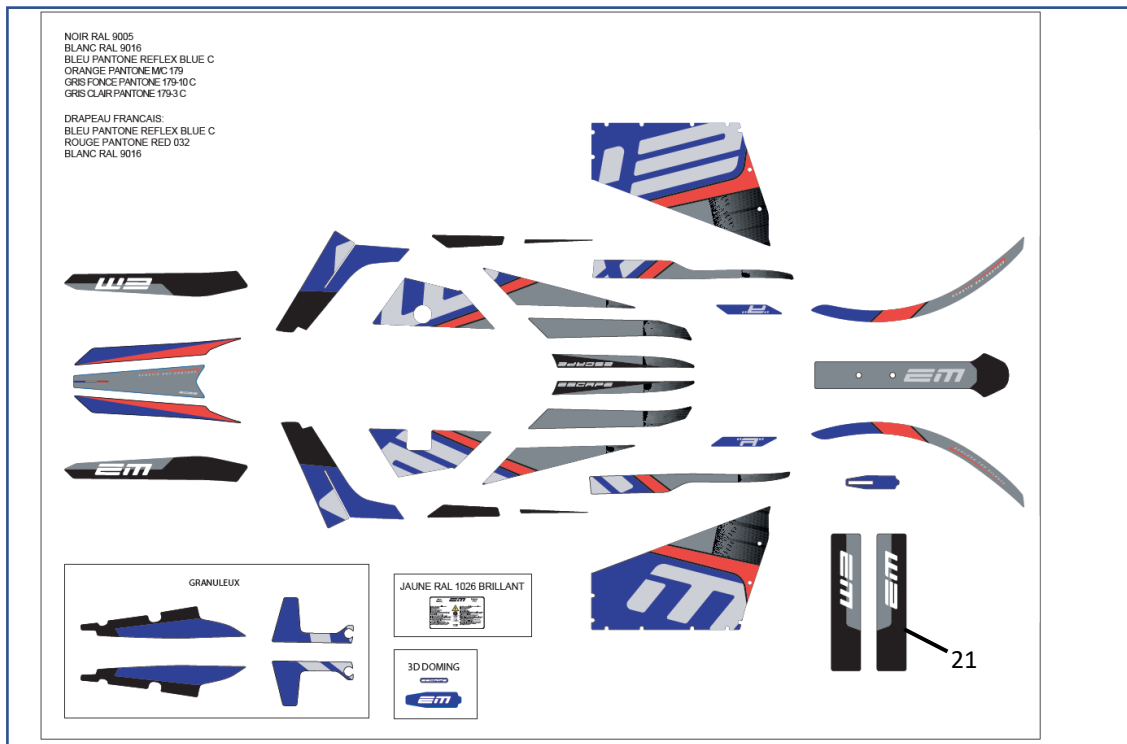
N°	REF.EM	DESIGNATION	Qty	N°	REF.EM	DESIGNATION	Qty
1	TL02R-50301-00-00.....	CONTROLLER.....	1	17	OEC08-05000-00-00.....	M5 NYLSTOP NUT.....	2
2	TL02Q-60515-00-00.....	CONTROLLER SUPPORT.....	1	19	OV040-05025-00-00.....	SCREW BHC M5x25.....	2
3,4	TL01H-50208-00-00.....	FUSE SUPPORT + FUSE.....	1	20	CHG01-52006-02-01-ASM.....	6A CHARGER.....	1
5	OV040-05016-00-00.....	SCREW BHC M5X16.....	2	21	CHG01-52010-03-03-ASM.....	10A CHARGER.....	1
6	OEC08-08000-00-00.....	NUT NYLSTOP M8.....	2	22	CHG01-52015-03-03-ASM.....	15A CHARGER (SERIAL) 220V.....	1
7	OV020-05012-00-00.....	SCREW FHC M5X12.....	4	23	CHG01-52025-03-03-ASM.....	25A CHARGER.....	1
8	OEC08-06000-00-00.....	NUT NYLSTOP M6.....	2	24	TC01Q-60802-00-00.....	CHARGER CASE.....	1
9	OV150-06016-00-00.....	SCREW THE M6X16.....	2	25	TC01Q-60407-00-00-ASM.....	TKO ACTIVATION BUTTON.....	1
10	OCE05-15620-00-00.....	NUT NYLSTOP M5.....	2	26	TL02Q-50333-00-00-ASM.....	MAP SCHOOL BUTTON.....	1
11	TL02R-50200-00-00.....	BATTERY PACK.....	1	27	CHG0152015-04-03-ASM.....	15A CHARGER (SERIAL) 110V.....	1
12	TL02O-50212-00-00.....	DISCHARGING CABLE.....	1	28	CHG0152025-04-03-ASM.....	25A CHARGER 110V.....	1
13	TL02O-50404-00-00.....	HARNESS PRINCIPAL.....	1				
14	FUS02-00002-00-00.....	FUSE 2A.....	1				
15	OR001-06014-02-00.....	WASHER M6.....	2				
16	TL02R-60517-00-00.....	MAIN CONNECTOR SUPPORT.....	1				

II PLASTICS AND STICKERS EPURE

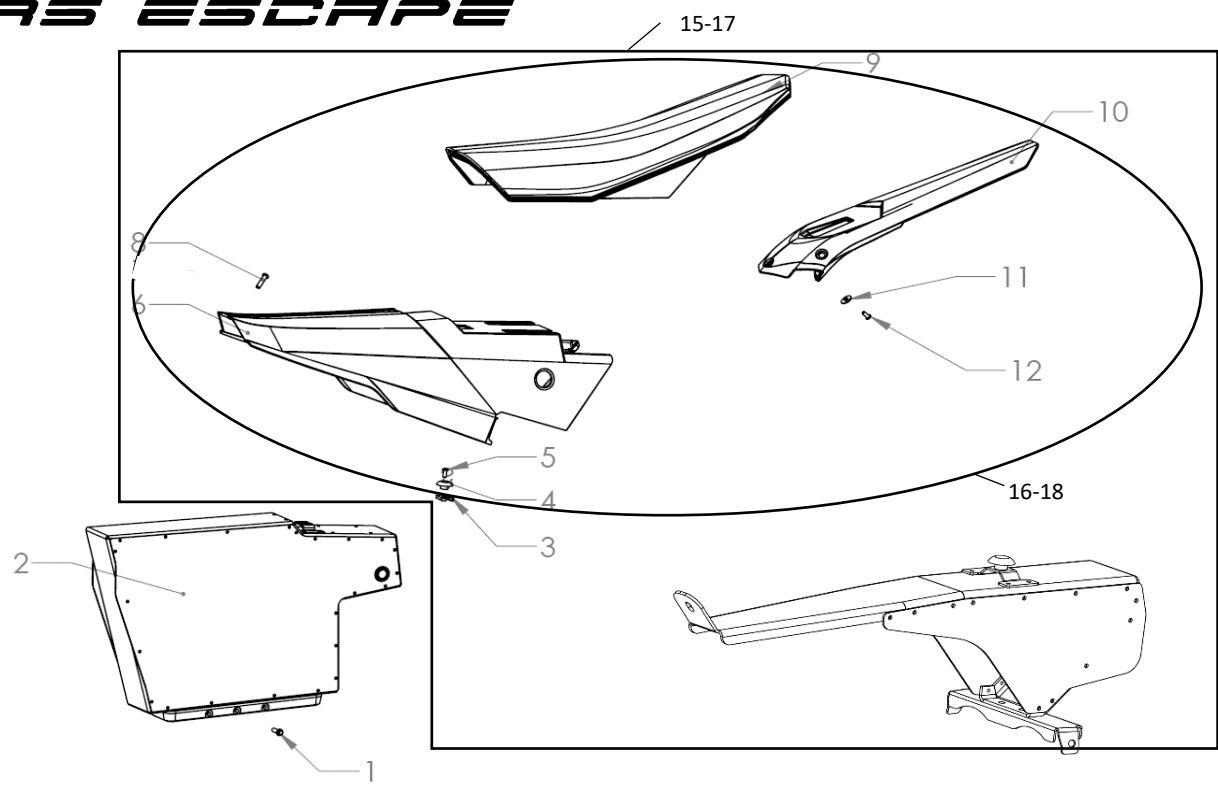


N°	REF.EM	DESIGNATION	Qty	N°	REF.EM	DESIGNATION	Qty
1	TL020-70213-00-00.....	SEA BASE.....	1	16	OV150-06016-00-00.....	SCREW M6x16.....	4
2	TL020-70302-00-00.....	REAR MUDGUARD.....	1	17	OR001-06018-02-00.....	WASHER M6.....	4
3	TL020-70201-00-00.....	TOP COVER.....	1	18	TL01K-20140-00-00.....	MUD GUARD SUPPORT.....	1
4	TL020-70303-00-00.....	WHEEL ARCH.....	1	19	OV040-05012-00-01.....	SCREW BHC M5x12 BLACK.....	2
5	TL020-70203-00-00.....	BATTERY COVER.....	1	20	OR001-08018-02-00.....	WASHER M8.....	2
6	TL01J-70105-00-00.....	DISC BRAKE COVER.....	1	21	TL020-60202-00-00-ASM.....	REAR LED MINI.....	1
7	TC01P-70104-00-00.....	FRONT PLATE 2022.....	1	23	TC01Q-70303-01-00.....	WHEEL ARCH FOAM.....	1
8	OV100-06016-00-01.....	SCREW BHC M6x16.....	5	24	TL02R-81201-00-00.....	STICKERS EPURE / EPURE RACE.....	1
9	OV004-06010-07-00.....	M6 SPECIAL SCREW.....	3	25	TL02R-81512-00-00.....	STICKERS EPURE / EPURE RACE REAR MUDGUARD.....	1
10	OV015-03020-00-00.....	SCREW 3X20.....	6	29	TL02R-81506-00-00.....	STICKERS EPURE / EPURE RACE BATTERY SET.....	1
11	OV015-03006-00-00.....	SCREW 3X6.....	3	30	TC02R-81514-00-00.....	STICKERS EPURE / ESCAPE FORK SET.....	1
12	TL02R-60302-00-00.....	SUSPENSION PROTECTOR.....	1	31	TL02R-60302-01-00.....	SUSPENSION PROTECTOR GUIDE.....	1
13	OV010-08065-00-00.....	SCREW CHC 8 X 50.....	1				
14	OV010-08040-00-00.....	SCREW CHC 8 X 40.....	1				
15	TL01J-70103-00-00.....	FRONT MUDGUARD.....	1				

12 PLASTICS AND STICKERS ESCAPE

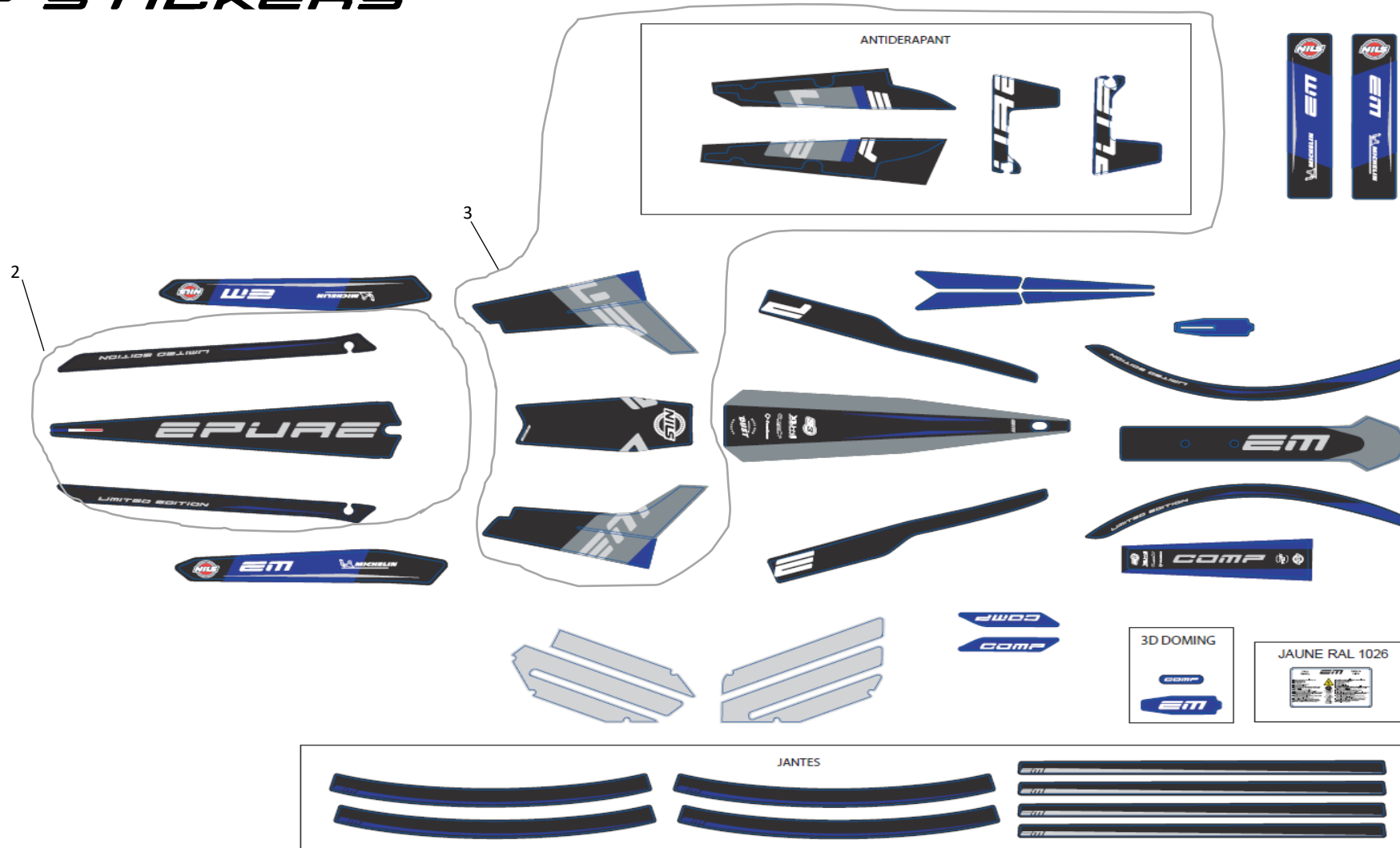


19



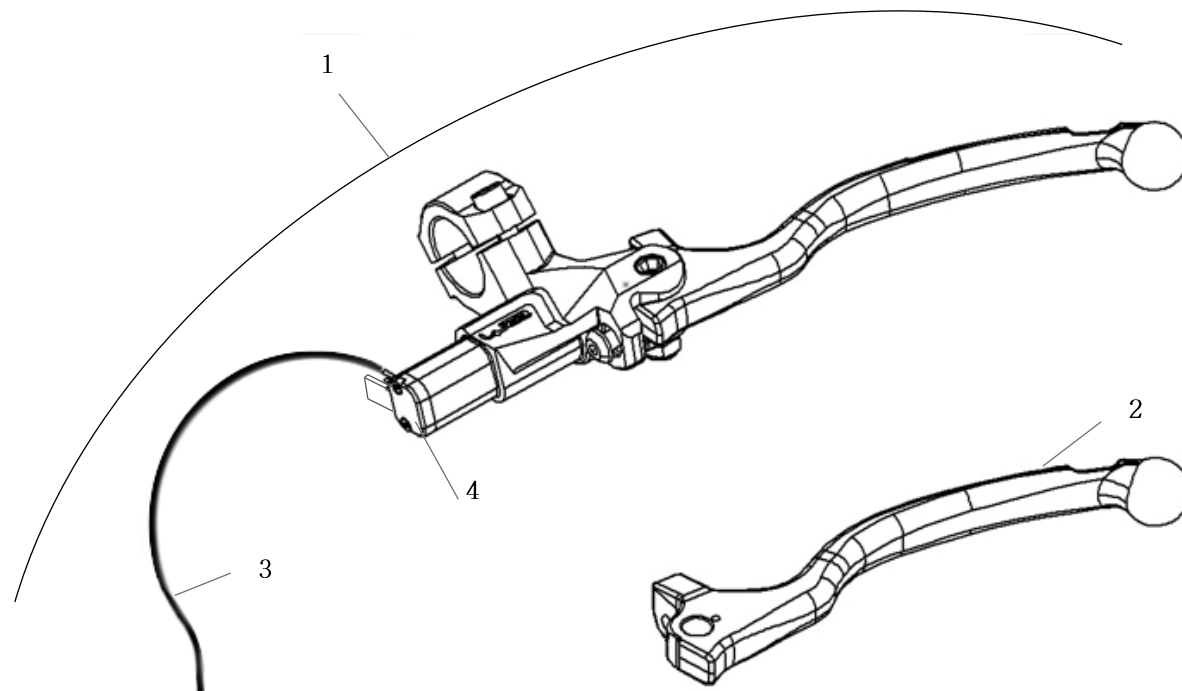
N°	REF.EM	DESIGNATION	Qty	N°	REF.EM	DESIGNATION	Qty
1	OV040-06020-00-00.....	SCREW M6x20.....	3	15	RL03Q-60704-00-00.....	ESCAPE KIT SUPPORT WITH STICKER KIT.....	1
2	RL03N-50200-00-00.....	ESCAPE BATTERY	1	16	RL03Q-60701-00-00.....	ESCAPE 22 PLASTICS SET WITH STICKERS KIT	1
3	OCE06-16024-09-ZI	NUT CLIP.....	1	17	RL03P-60704-00-01.....	ESCAPE KIT SUPPORT WITHOUT STICKERS.....	1
4	RL01F-60620-00-02	SPECIAL SEAT HOLDER.....	1	18	RL03P-60701-00-01.....	ESCAPE 2022 PLASTICS SET WITHOUT STICKERS.....	1
5	OV020-06020-00-00.....	SCREW FHC M6x20	1	19	RL03R-81201-00-00.....	STICKERS ESCAPE ESCAPE R 2023.....	1
6	RL03P-70201-00-00.....	MAIN ESCAPE PLASTIC COVER.....	1	21	TL02R-81514-00-00.....	STICKER FORK 2023 EPURE / ESCAPE.....	1
8	OV100-06035-00-01.....	BLACK SCREW M6x35.....	1				
9	RL03P-60620-00-01.....	ESCAPE SEAT.....	1				
10	RL03N-70302-00-00.....	ESCAPE REAR MUDGUARD.....	1				
11	OR001-06018-02-01.....	M6 BLACK WASHER.....	1				
12	OV100-06016-00-01.....	BLACK SCREW M6x16.....	1				

12 COMP STICKERS



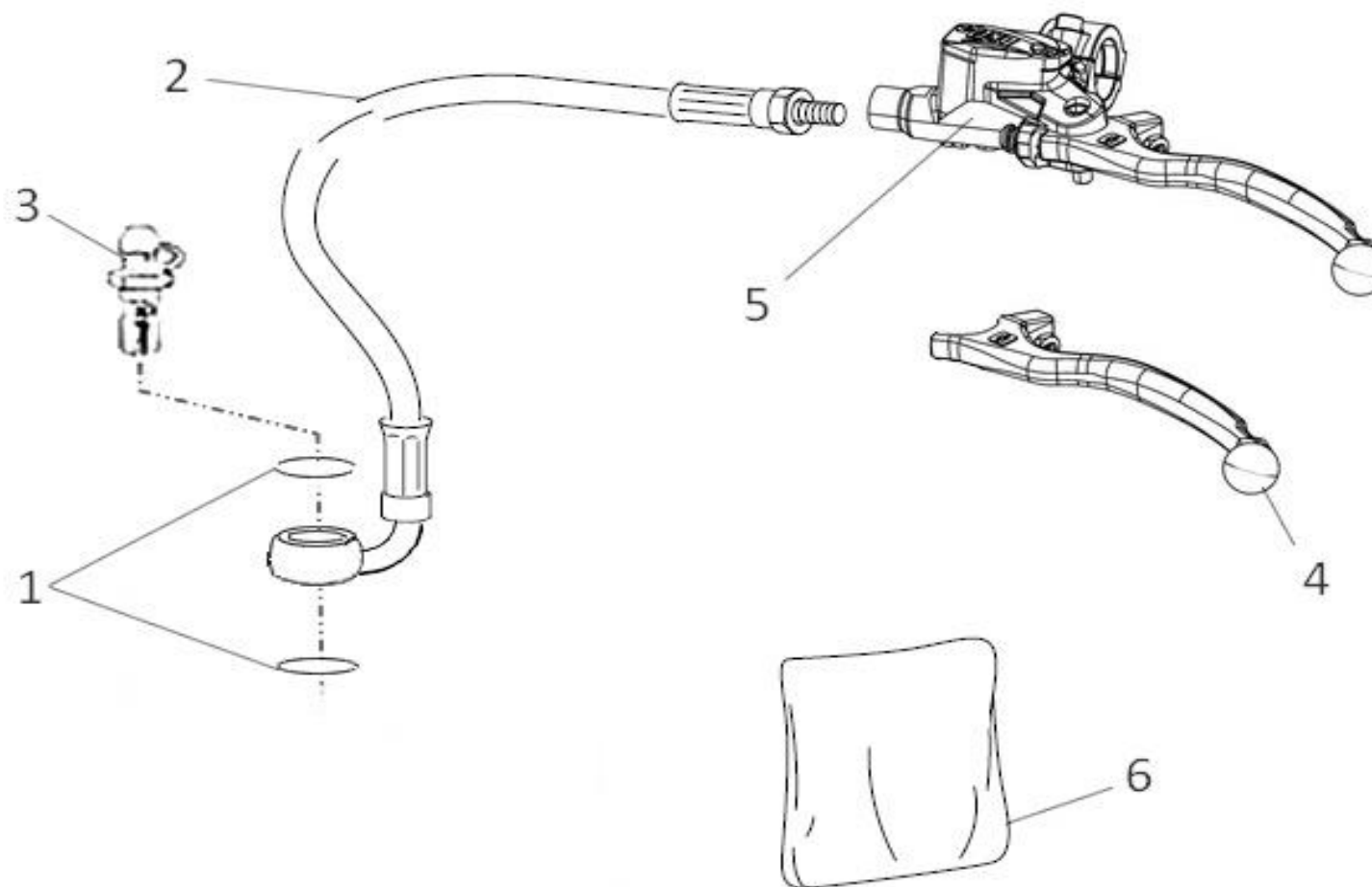
N°	REF.EM	DESIGNATION	Qty
1	TC02R-81201-00-00.....	STICKERS EPURE COMP	1
2	TC02R-81512-00-00.....	REAR MUDGUARD EPURE COMP STICKERS.....	1
3	TC02R-81511-00-00.....	SEAT BASE EPURE COMP STICKERS.....	1

IB PRB



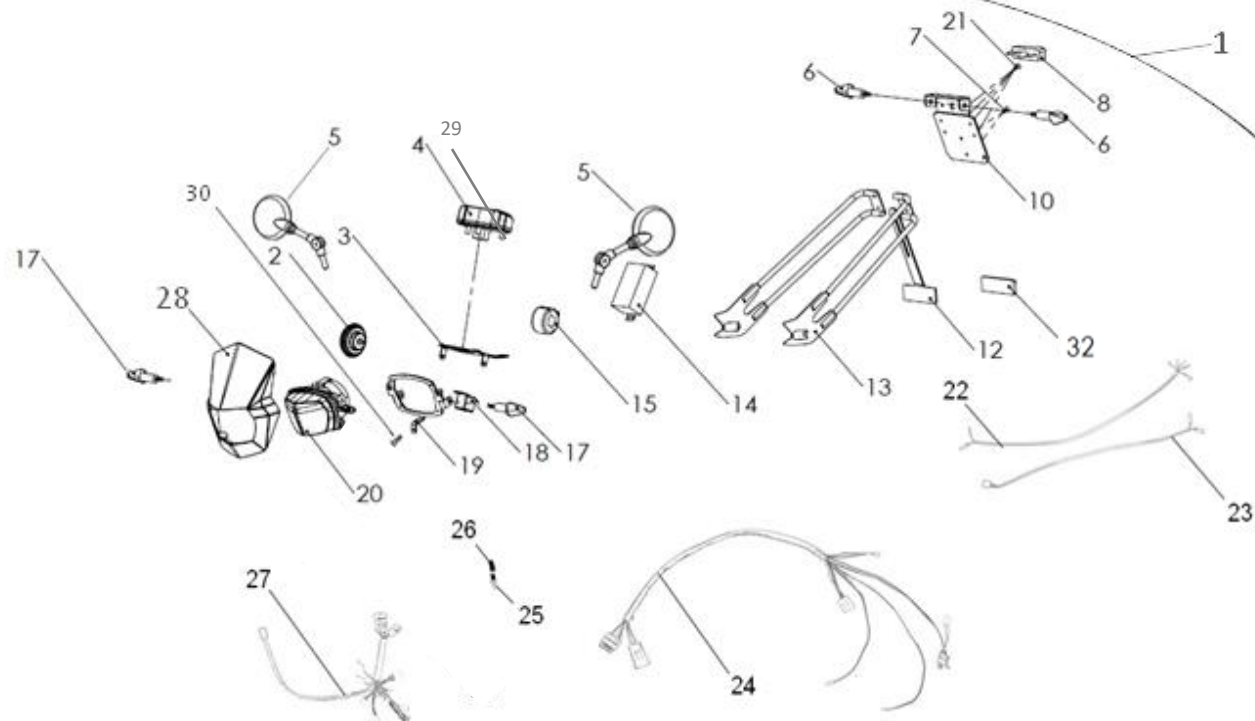
N°	REF.EM	DESIGNATION	Qty
1	TC01L-60403-00-00-ASM	PELS/PRB ASSEMBLY	1
2	TL01M-60403-02-00.....	PELS/PRB ANODIZED LEVER.....	1
3	TL01N-60404-00-00.....	PELS/PRB HARNESS SENSOR.....	1
4	TC01L-60413-00-00	2022 SENSOR COVER.....	1

I4 HYDRAULIC CLUTCH SYSTEM



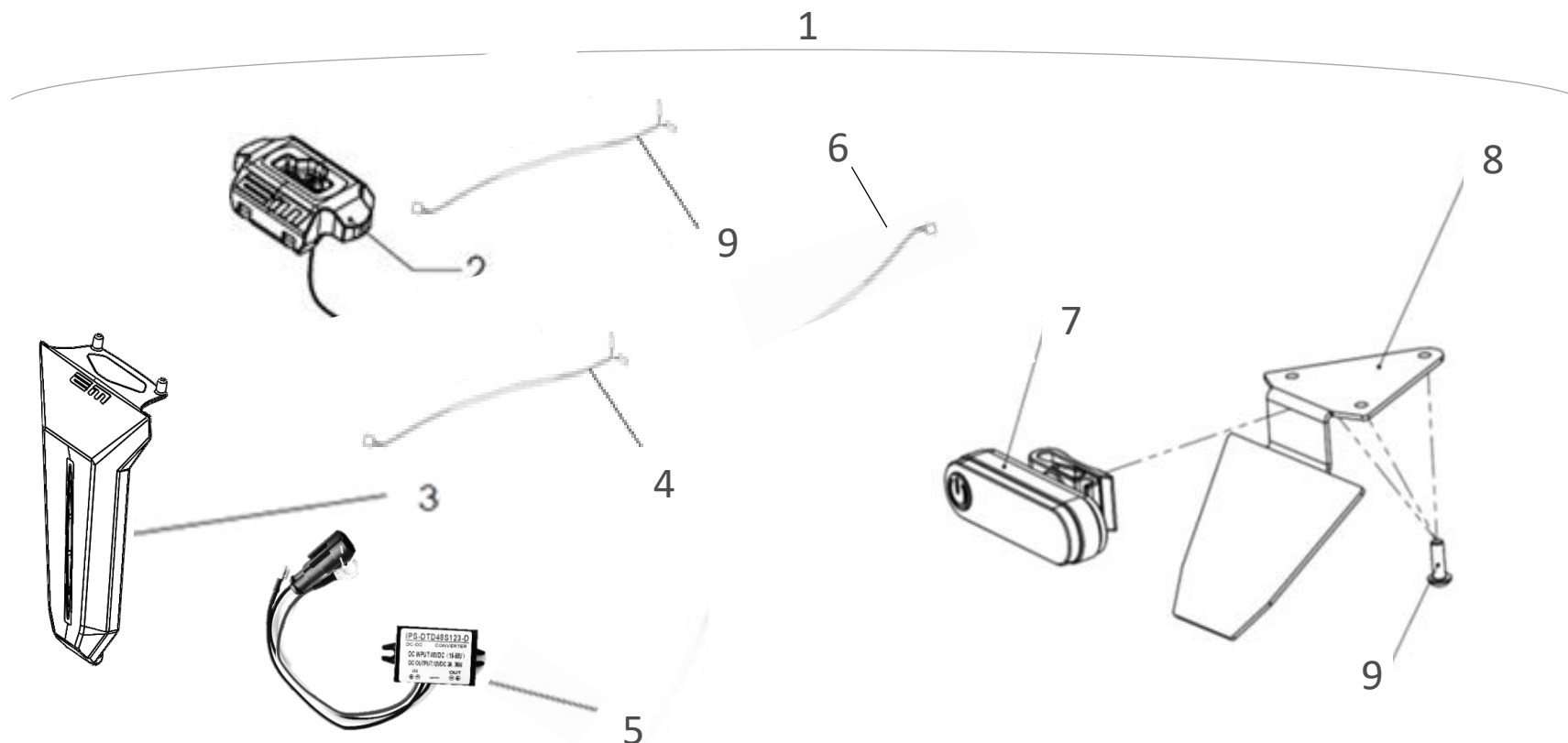
N°	REF.EM	DESIGNATION	Qty
1	OR010-10018-02-00.....	WASHER M10.....	2
2	TC010-50511-00-00.....	CLUTCH HOSE.....	1
3	TC010-50512-00-00.....	VIS + SCREW PURGE.....	1
4	TL01M-60403-02-00.....	LEVER CLUTCH.....	1
5	TC010-50510-00-00.....	CLUTCH MASTER CYLINDER.....	1
6	TC010-50516-00-00.....	REPAIR KIT.....	1

i7 ON ROAD KIT



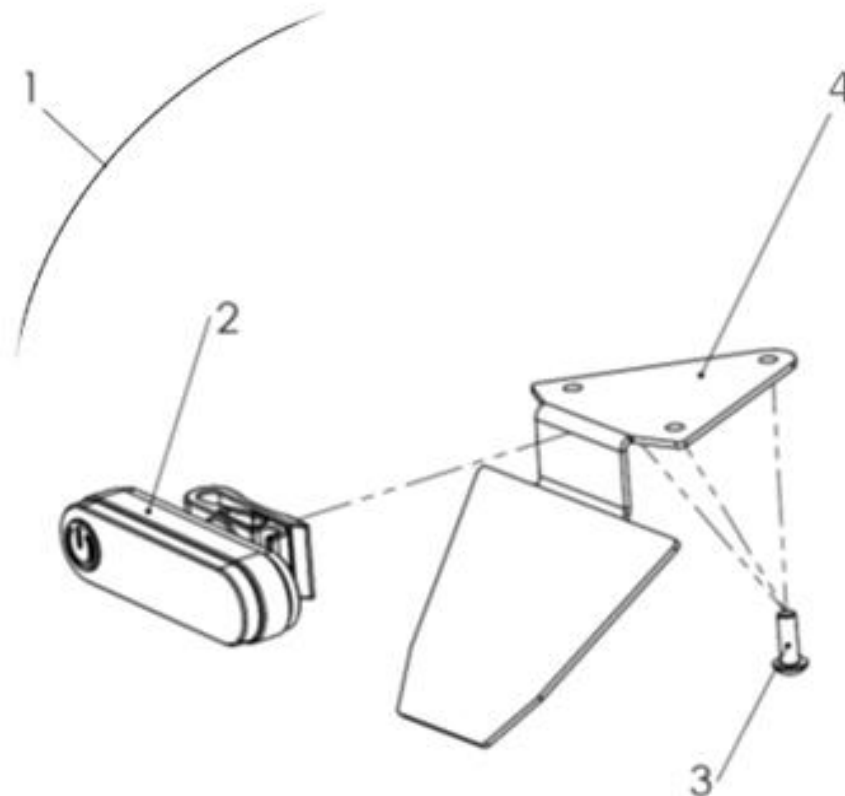
N°	REF.EM	DESIGNATION	Qty	N°	REF.EM	DESIGNATION	Qty
1	TL02Q-60600-00-00.....	GLOBAL ON ROAD KIT.....	1	18	RL01F-50406-00-00.....	INDICATOR CENTRAL UNIT.....	1
2	TL01K-60603-00-00.....	HORN.....	1	19	TL02Q-60602-01-00.....	OPTICAL SUPPORT PLATE.....	1
3	TL02Q-60503-00-00.....	SPEEDOMETER SUPPORT.....	1	20	TL02O-60602-00-00.....	COMPLETE LIGHT.....	1
4	TL02O-60610-00-00.....	SPEEDOMETER.....	1	21	ORV01-04008-10-00.....	RIVET 4X10.....	4
5	TL01K-60604-00-00.....	REAR VIEW MIRROR.....	2	22	TL02O-50409-01-00.....	REAR ELECTRICAL WIRING SWINGARM.....	1
6	RL01F-60606-00-00.....	TURN LIGHT LONG SET.....	1	23	TL02O-50409-02-00.....	REAR ELECTRICAL WIRING.....	1
7	OV02O-05010-00-00.....	SCREW FHC M5X10.....	2	24	TL02O-50403-00-00.....	ELECTRICAL WIRING.....	1
8	RL01F-60619-00-00.....	REAR LIGHT.....	1	25	TL02O-60614-00-00.....	HYDRAULIC SENSOR.....	1
10	TC01O-60616-00-03.....	PLATE LICENCE SUPPORT.....	1	26	TL02O-60614-01-00.....	CAP HYDRAULIC SENSOR.....	1
12	TC01O-60616-00-01.....	REFLECTOR SUPPORT.....	1	27	TL02O-50408-00-00.....	FRONT ELECTRICAL WIRING.....	1
13	TC01O-60616-00-00.....	LICENCE PLATE SUPPORT.....	1	28	TL02O-70104-00-00.....	HEADLIGHT.....	1
14	TL01M-60601-00-00.....	CONVERTER 48V-12V.....	1	29	OV011-04012-00-N0.....	SCREW M4x12 LARGE HEAD.....	3
15	TL02O-60407-00-00.....	MAIN COMMUTATOR.....	1	30	OV015-03010-00-00.....	SCREW M3x10.....	3
17	RL01F-60607-00-00.....	TURN LIGHT SHORT SET.....	1	32	RL01F-60615-00-00.....	RED READ REFLECTOR.....	1

18 COMPLETE OFF ROAD KIT



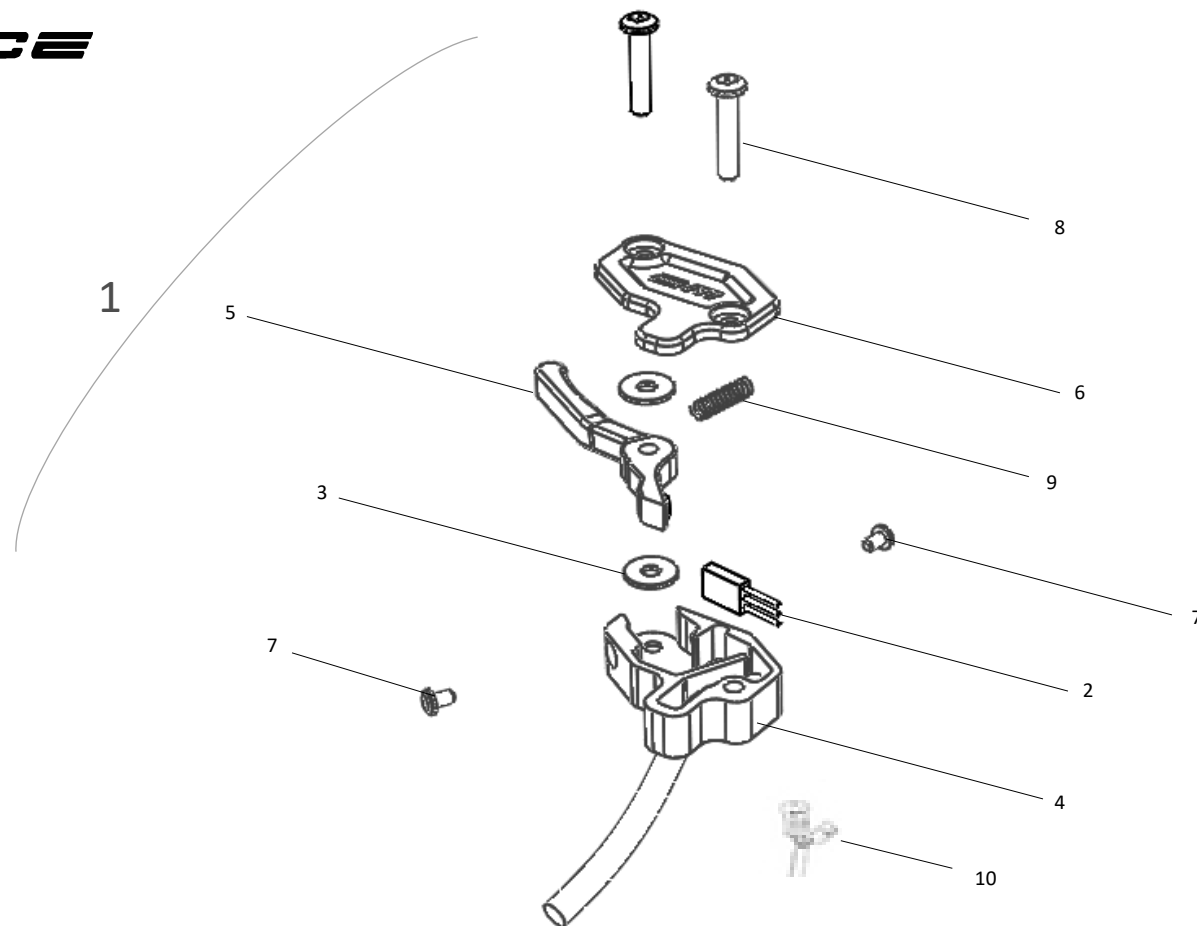
N°	REF.EM	DESIGNATION	Qty
1	TL02Q-60201-00-00.....	OFF ROAD COMPLETE FRONT KIT.....	1
2	TL02Q-50203-00-00-ASM.....	BATTERY LEVEL HANDELBAR PROTECTION	1
3	TC01P-70104-00-00-ASM.....	FRONT PLATE WITH LIGHT	1
4	TC01O-60201-01-00.....	OFF ROAD MAIN HARNESS.....	1
5	TC01O-60601-00-00.....	CONVERTER DC / DC LED.....	1
6	TL02O-60202-00-00.....	REAR LED MINI.....	1
7	TL02O-60202-02-00.....	REAR LED	1
8	TL02O-60202-01-00.....	REAR LED SUPPORT	1
9	OV015-03006-00-00.....	SCREW 3x6.....	3
10	TL02Q-50410-00-02.....	BATTERY LEVEL INDICATOR HARNESS.....	3

13 REAR TAIL LIGHT MINI



N°	REF.EM	DESIGNATION	Qty
1	TL020-60202-04-00.....	COMPLETE REAR LED KIT	1
2	TL020-60202-02-00.....	REAR LED	1
3	OV015-03006-00-00.....	SCREW 3x6.....	3
4	TL020-60202-01-00.....	REAR LED SUPPORT	1

20 PRB RACE



N°	REF.EM	DESIGNATION	Qty
1	TC01Q-60403-00-00.....	COMPLETE PRBR	1
2	TL01N-60404-00-00.....	PRB SENSOR HARNESS.....	1
3	OR008-04012-01-00.....	WASHER NYLON 4X12X1.....	2
4	TC01Q-60403-00-01.....	PRBR BODY.....	1
5	TC01Q-60403-00-02-ASM.....	PRBR LEVER.....	1
6	TC01Q-60403-00-03.....	PRBR UPPER PLATE.....	1
7	OV040-03005-00-00.....	SCREW BHC M3 X 5	2
8	OV040-04020-00-00.....	SCREW BHC M4 X 20 BLACK.....	2
9	OR101-04015-10-01.....	SPRING.....	1
10	TC01Q-60417-00-00.....	FRB / PRBR ADAPTER	1

2i HANDGUARD



N°	REF.EM	DESIGNATION	Qty
1	RL03Q-61001-00-00.....	EM HANDGUARD	1